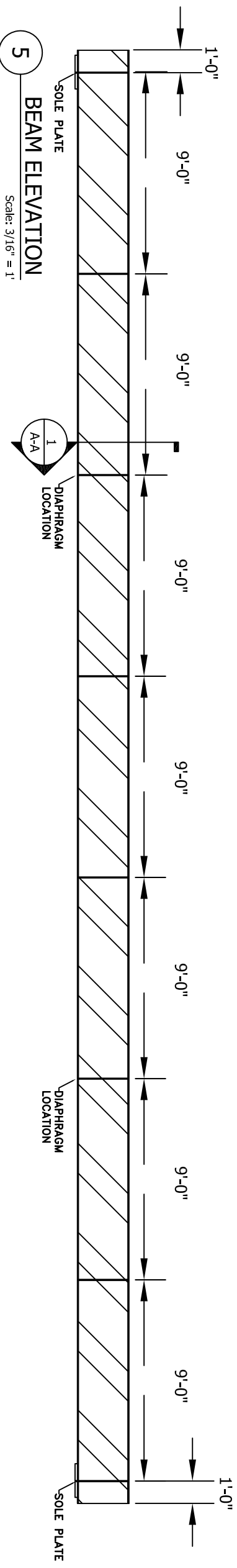


1 W27x84 BEAM (CROSS SECTION A-A)  
Scale: 1" = 1'

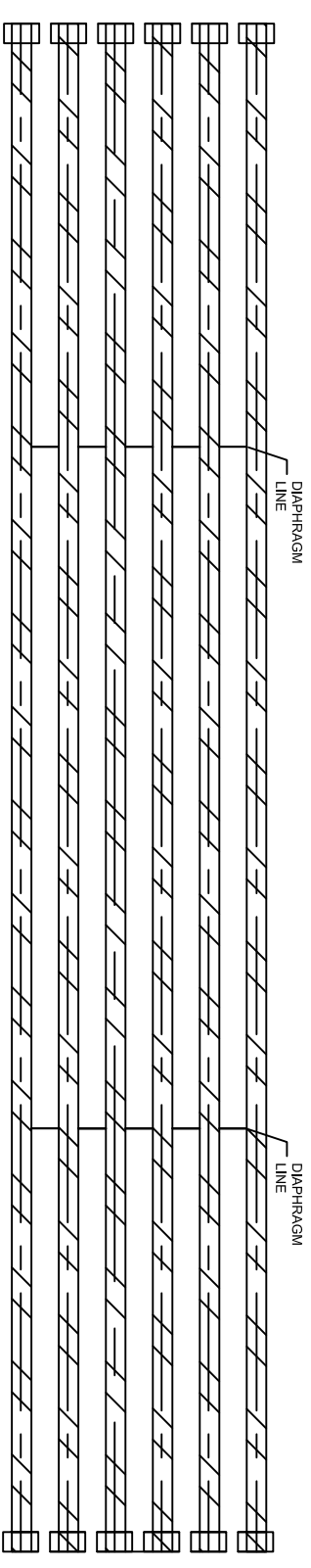
2 MC18x42.7 DIAPHRAGM  
Scale: 1" = 1'

3 SOLE PLATE (EXPANSION)  
Scale: 1.5" = 1'

4 SOLE PLATE (FIXED)  
Scale: 1.5" = 1'



5 BEAM ELEVATION  
Scale: 3/16" = 1'



6 BRIDGE LAYOUT  
Scale: 1/8" = 1'

<b>PENNSYLVANIA GAME COMMISSION</b>	
STATE GAME LANDS #014	SHIPPEN TWP
65' STEEL BRIDGE BEAM	
CAMERON CO.	
BEAM DETAILS AND DIMENSIONS	
REVISIONS	PROJECT NO. PGC-014-24-1
	DRAWN BY: ADL
	DATE: 01/09/2024
	SHEET NO. 1 OF 1