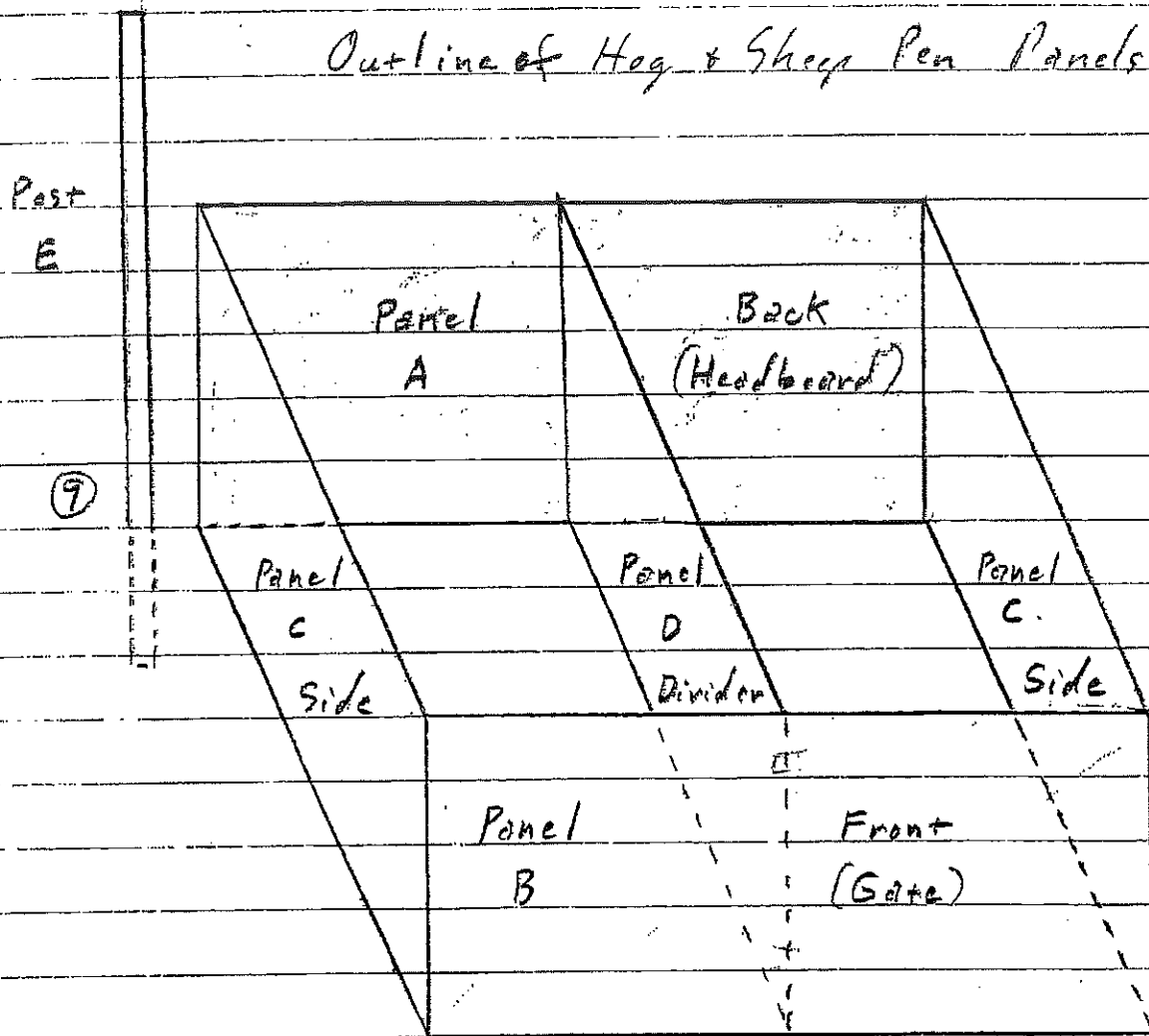


5/16/19 Panel "D" Only

Outline of Hog & Sheep Pen Panels



P.F.S.

7/88

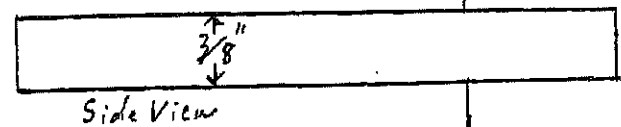
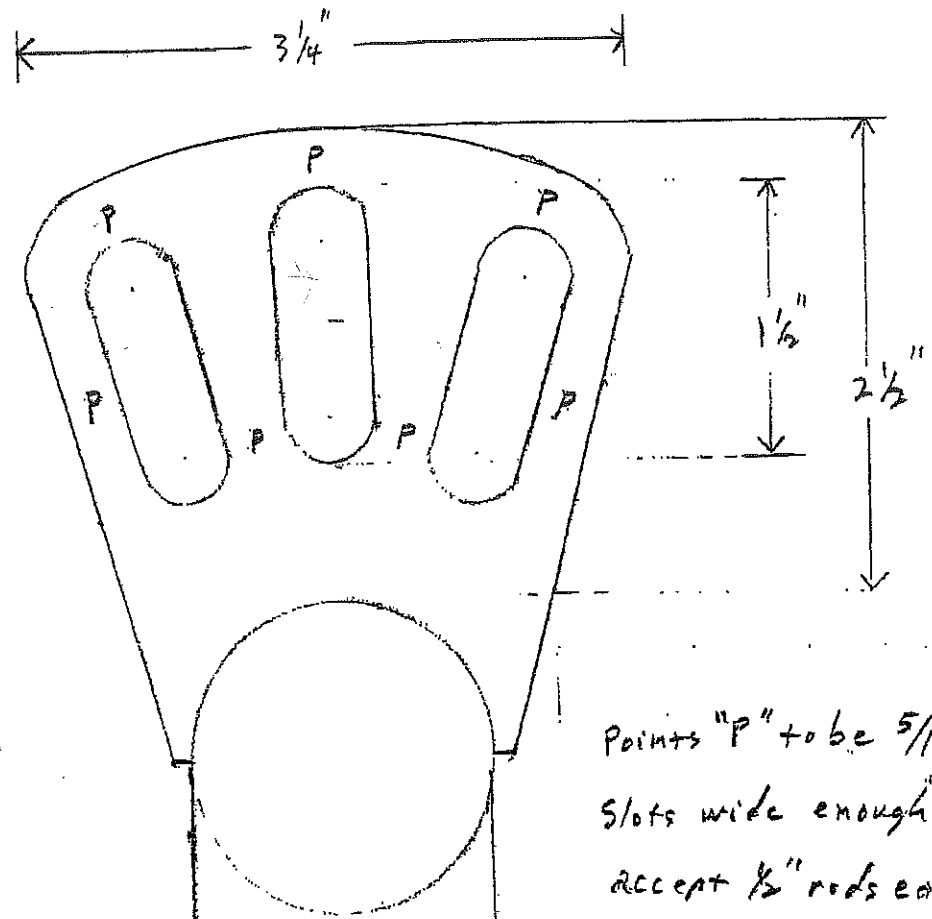
U

TOP VIEW
pendivider

Detail Panel

① "D"

Slotted Tang



Side View

1.66 Tube

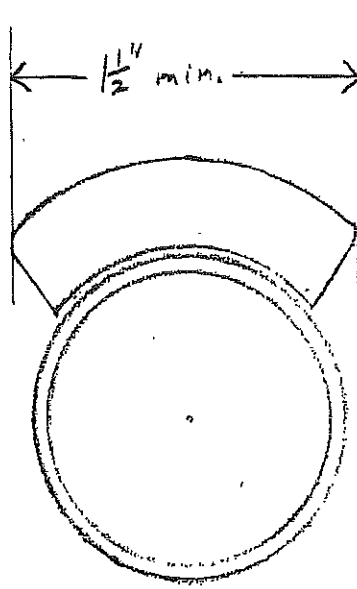


Cross Section of Panel B, C, & D
Tangs - Slots slightly rounded
or tapered to allow removal
of the Latch Rod.

Top View

P.F.S.
1/6

Detail
②
Cross Section
Tube Frame

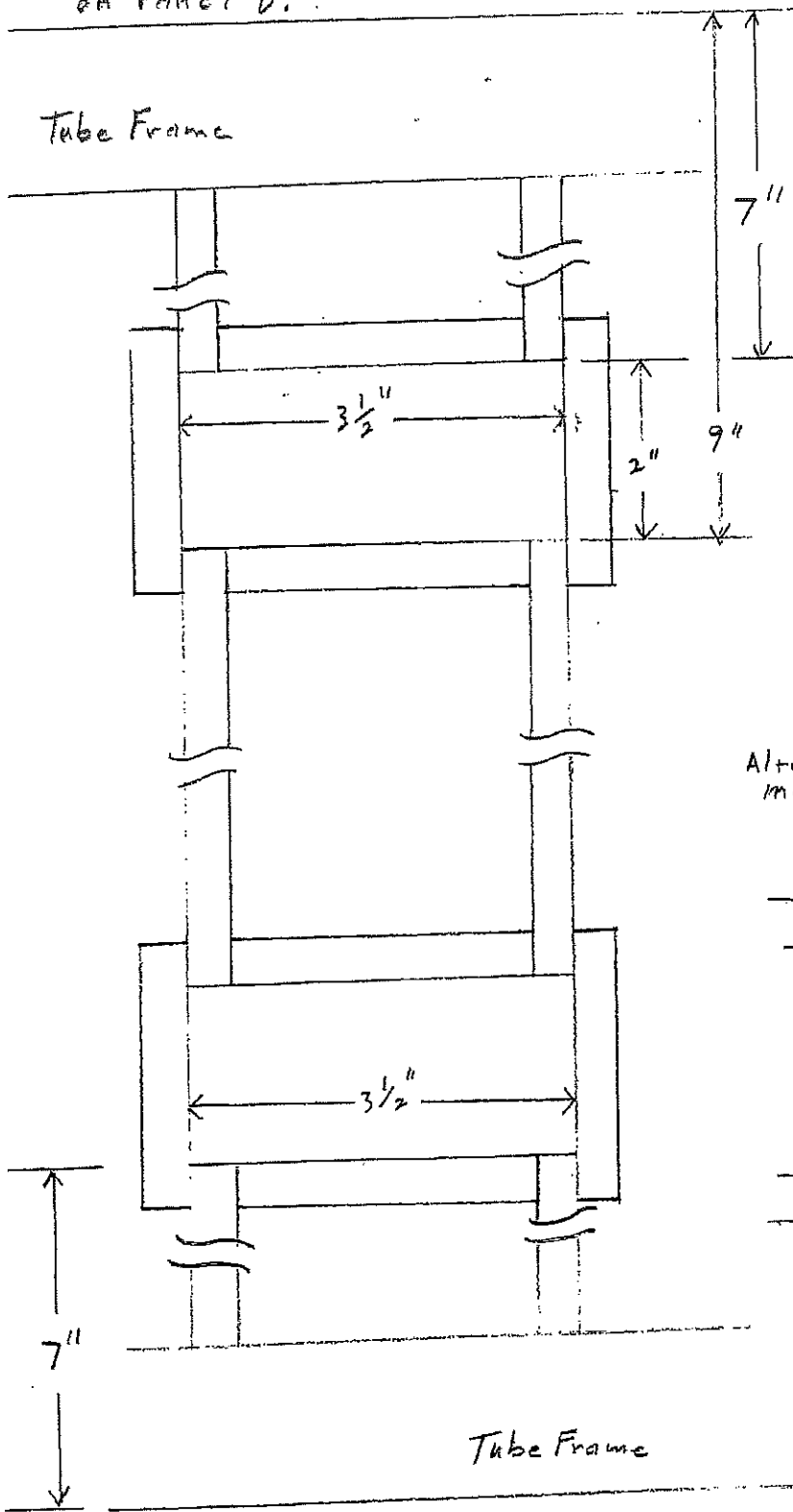


$\frac{1}{2}$ " x 1" Flatstock
Bent + Welded To
Tube Frame 8" From
End of Panel B

Detail

⑥

Holes centered in Panel B
To receive Slotted Tangs
on Panel D.

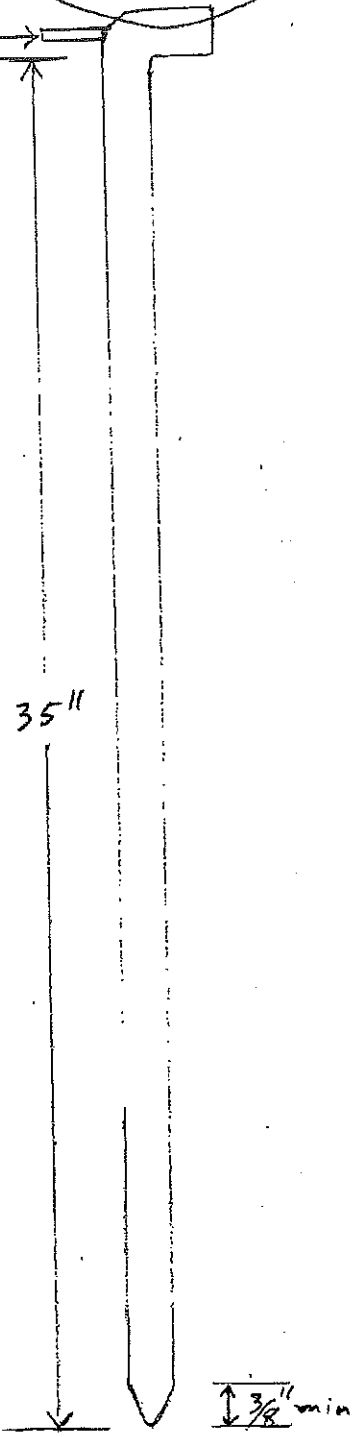


Detail
⑦

1/2" Rod
(7/16" rod galvanized)

(washer used in
galvanizing)

Alternate
method



Detail
⑧

Panel
ends
w/ tangs

$\frac{3}{8}$ " Slotted Tang

Right end
of panels

Left end
of panels

$\frac{3}{8}$ " slotted tang

1.66" Tube

$8\frac{1}{4}$ "

$7\frac{1}{2}$ "

$24\frac{1}{4}$ "

$25\frac{3}{4}$ "

$8\frac{1}{4}$ "

$7\frac{1}{2}$ "

