

**PENNSYLVANIA GAME COMMISSION (PGC)
STEEL BEAMS – MULTIPLE BRIDGES**

SCOPE: The PGC is requesting bids for supplying fabricated steel I-beams for several bridge replacement projects. Eight (8) drawings showing the details of the beams are attached.

Table of PGC beam requirements

Number of Beams	Beam Height and Weight	Beam Overall Length
6	W12x30	20'-0"
6	W14x61	35'- 0"
12	W16x67	40'- 0"
12	W24x76	50'-0"

The beams, bearing plates and stiffeners shall be fabricated from ASTM A588 (50 ksi) steel.

Coating or painting the fabricated beams is not required.

APPLICABLE ACTS: The bidder shall comply with the following acts.

1. Steel Products Procurement Act

In accordance with the Act of March 3, 1978 (P.L. 6, No. 3), as amended, known as the "Steel Products Procurement Act" (73 P.S. Section 1881 et seq.), the Contractor, subcontractors, material men, or suppliers shall use only steel products produced in the United States. "Steel products" mean products rolled, formed, shaped, drawn, extruded, forged, cast, fabricated or otherwise similarly processed by a combination of two or more of such operations, from steel made in the United States by the open hearth, basic oxygen, electric furnace, Bessemer, or other steel making process, including cast iron products. With each shipment of steel or cast iron products delivered to the project site, the Contractor shall provide evidence to the Game Commission's field representative that such steel products comply with the Act. When Unidentified Steel Products are supplied, the Contractor must provide documentation which includes, but is not limited to: invoices, bills of lading, and mill certification that the steel was melted and manufactured in the United States, which establishes that the Contractor has fully complied with the Act. If a steel product is identifiable from its face, the Contractor must provide certification that it has fully complied with the Act.

The definition of steel products shall include machinery and equipment listed in United States Department of Commerce Standard Industrial Classification 25 (furniture and fixture), 35 (machinery, except electrical) and 37 (transportation equipment) and made of, fabricated from, or containing steel components. If a product contains both foreign and United States steel, such product shall be determined to be a United States steel product only if at least 75% of the cost of the articles, materials and supplies have been mined, produced or manufactured, as the case may be, in the United States. Transportation equipment shall be determined to be a United States steel product if it complies with Section 165 of Public Law 97-424 (96 Stat. 2136).

**PENNSYLVANIA GAME COMMISSION (PGC)
STEEL BEAMS – MULTIPLE BRIDGES**

The PGC shall not provide for, or make any payments to, any person who has not complied with the Act. Any such payments made to any person by the PGC which should not have been made as a result of the Act shall be recoverable directly from the Contractor or subcontractor who did not comply with the Act. In addition to the above penalties, any person who willfully violates the provisions of the Act shall be subject to other penalties outlined in the Act.

2. Trade Practices Act

In accordance with the Act of July 23, 1968 (P.L. 686, No. 226), as amended, known as the “Trade Practices Act” (71 P.S. Section 773.101 et seq.) the Contractor shall not use or permit to be used in the work any aluminum or steel products made in a foreign country which is listed below as a foreign country which discriminates against aluminum or steel products manufactured in Pennsylvania. The countries of Brazil, Spain, South Korea, and Argentina have been found to discriminate against certain products manufactured in Pennsylvania. Therefore, the use of those countries’ products, as listed below, is not permitted:

- a. Brazil: welded carbon steel pipes and tubes; carbon steel wire rod; tool steel; certain stainless steel products including hot-rolled stainless steel bar; stainless steel wire rod and cold-formed stainless steel bar; prestressed concrete steel wire strand; hot-rolled carbon steel plate in coil; hot-rolled carbon steel sheet; and cold-rolled carbon steel sheet.
- b. Spain: certain stainless steel products, including stainless steel wire rod, hot-rolled stainless steel bars, and cold-formed stainless steel bars; prestressed concrete steel wire strand; and certain steel products including hot-rolled steel plate, cold-rolled carbon steel plate, carbon steel structural shapes, galvanized carbon steel sheet, hot-rolled carbon steel bars, and cold-formed carbon steel bars.
- c. South Korea: welded carbon steel pipes and tubes; hot-rolled carbon steel plate; hot-rolled carbon steel sheet; and galvanized steel sheet.
- d. Argentina: carbon steel wire rod and cold-rolled carbon steel sheet.

Penalties for violation of this paragraph may be found in the Trade Practices Act, which penalties include becoming ineligible for public works contracts for a period of three (3) years. This paragraph in no way relieves the Contractor of responsibility to comply with the provisions of the Steel Products Procurement Act described herein.

SAP VENDOR NUMBER: All vendors who conduct business with the Pennsylvania Game Commission must have a Vendor No. assigned to them in order to receive payment from the Commonwealth. To apply for a Vendor No., the Vendor can register online at www.pasupplierportal.state.pa.us. If the vendor does not have internet access, please call

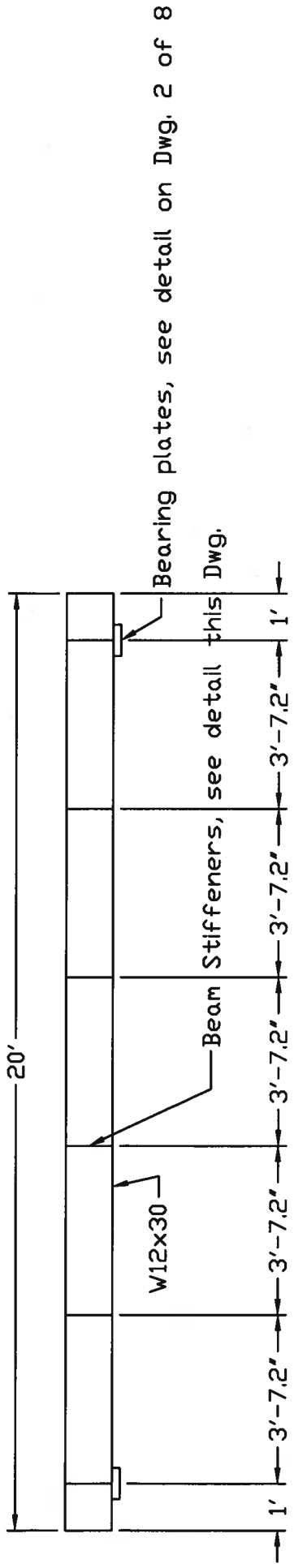
**PENNSYLVANIA GAME COMMISSION (PGC)
STEEL BEAMS – MULTIPLE BRIDGES**

the Department of General Services Customer Service Center at 1-877-435-7363 and the proper forms will be mailed.

DELIVERY DATE AND LOCATION: The fabricated steel beams are to be delivered to the PA Game Commission, Haldeman Island Complex on State Game Lands #290, 224 Island Road, Duncannon, PA 17020 before Friday, June 14, 2019. The PGC will have equipment on-site to unload the beams.

BID DATE: Bids are due by 2:00 pm Wednesday, April 10, 2019. Bids must be submitted electronically in the PA Supplier Portal at www.pasupplierportal.state.pa.us. The bids will be opened electronically by Contracts and Procurement Division on Wednesday, April 10th at 2:00 pm. The successful bidder will be informed by 4:00 pm Wednesday, April 10th, 2019.

QUESTIONS: Questions regarding the bridge beams can be directed to Chip Schaffer in the PGC – Engineering Division at 717-787-9620.

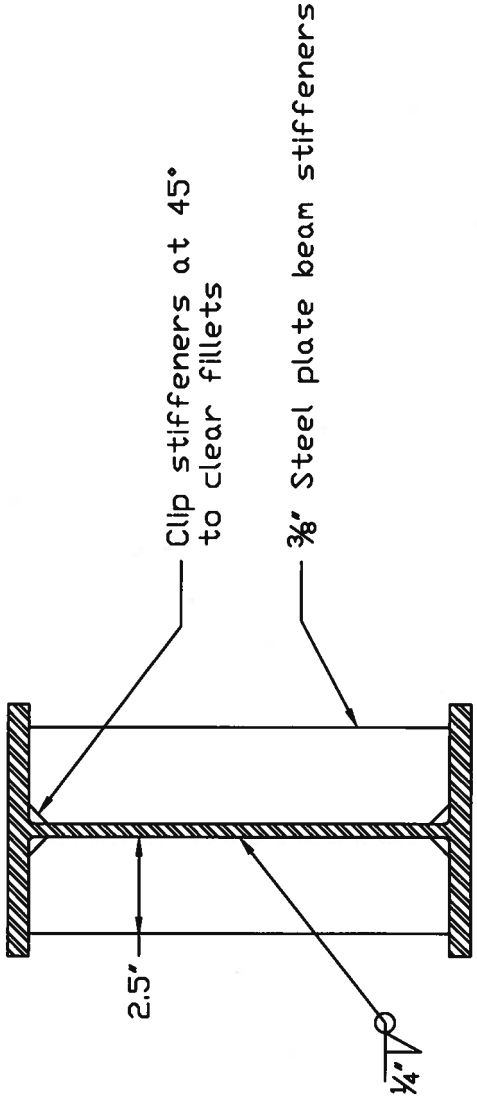


BEAM ELEVATION

Scale: $\frac{3}{16}$ in = 1 ft.
 Note: Dimensions are to center of features

NOTES

1. Beams, stiffeners, and bearing plates are ASTM A588 (50 ksi) steel conforming to PennDOT Pub. 408 Section 1105.02 Materials.
2. Fabrication of structural steel shall conform to Section 1105.03 of PennDOT Pub. 408.

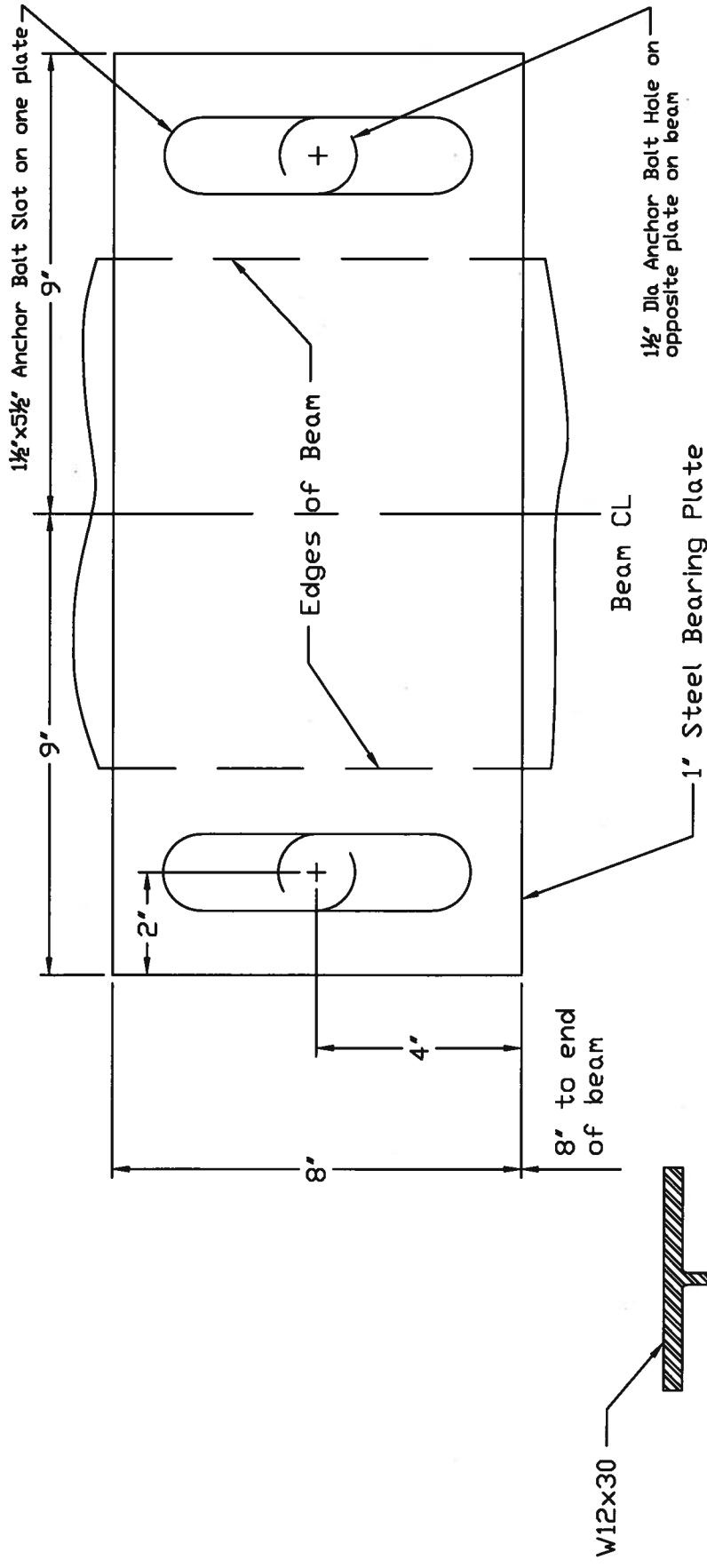


BEAM STIFFENERS

Scale: 1 in. = 5 in.
 Note: 6 pairs of stiffeners required per beam

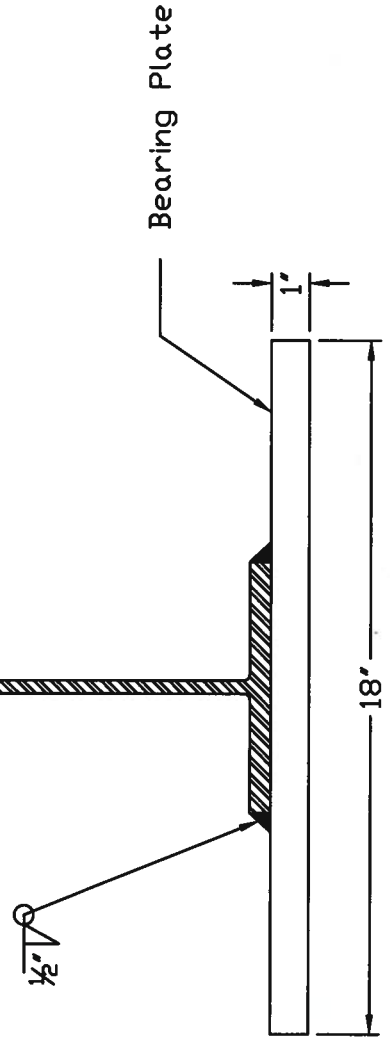
PENNSYLVANIA GAME COMMISSION

BRIDGE BEAMS
 20 FOOT LENGTH
 Drawing 1 of 8



BEARING PLATE

Scale: 1 in. = 4 in.



BEARING PLATE ELEVATION

Scale: 1 in. = 5 in.

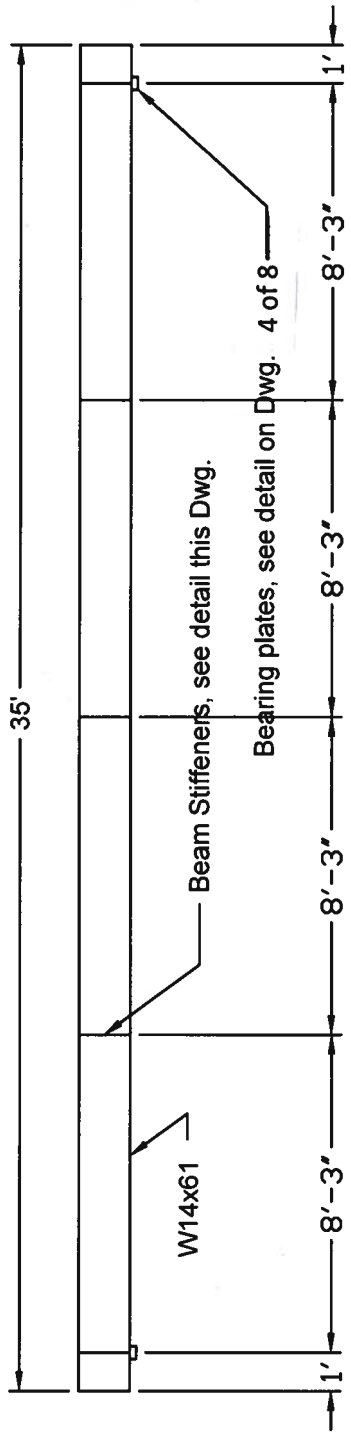
Note: 2 bearing plates per beam

PENNSYLVANIA GAME COMMISSION

BRIDGE BEAMS

20 FOOT LENGTH

Drawing 2 of 8

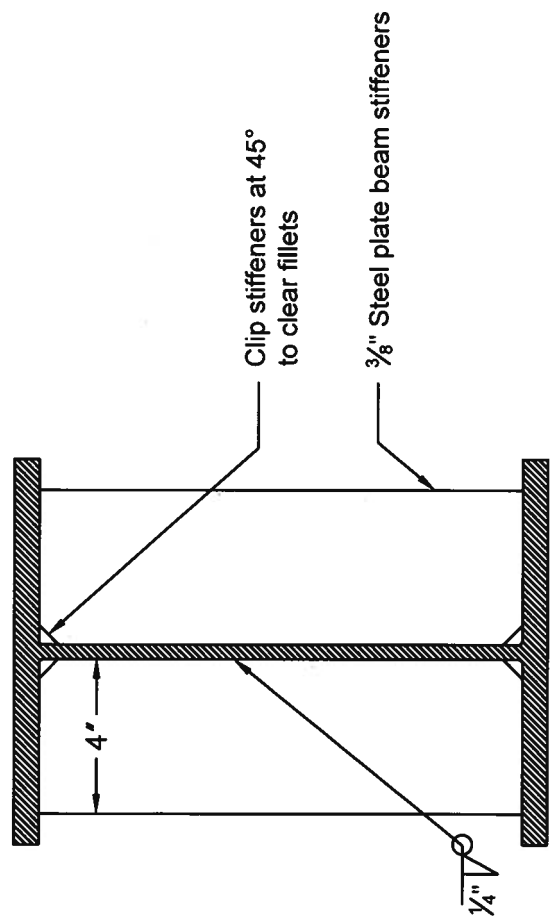


BEAM ELEVATION

Scale: 1 in. = 5 ft.
 Note: Dimensions are to center of features

NOTES

1. Beams, stiffeners, and bearing plates are ASTM A588 (50 ksi) steel conforming to PennDOT Pub. 408 Section 1105.02 Materials.
2. Fabrication of structural steel shall conform to Section 1105.03 of PennDOT Pub. 408.



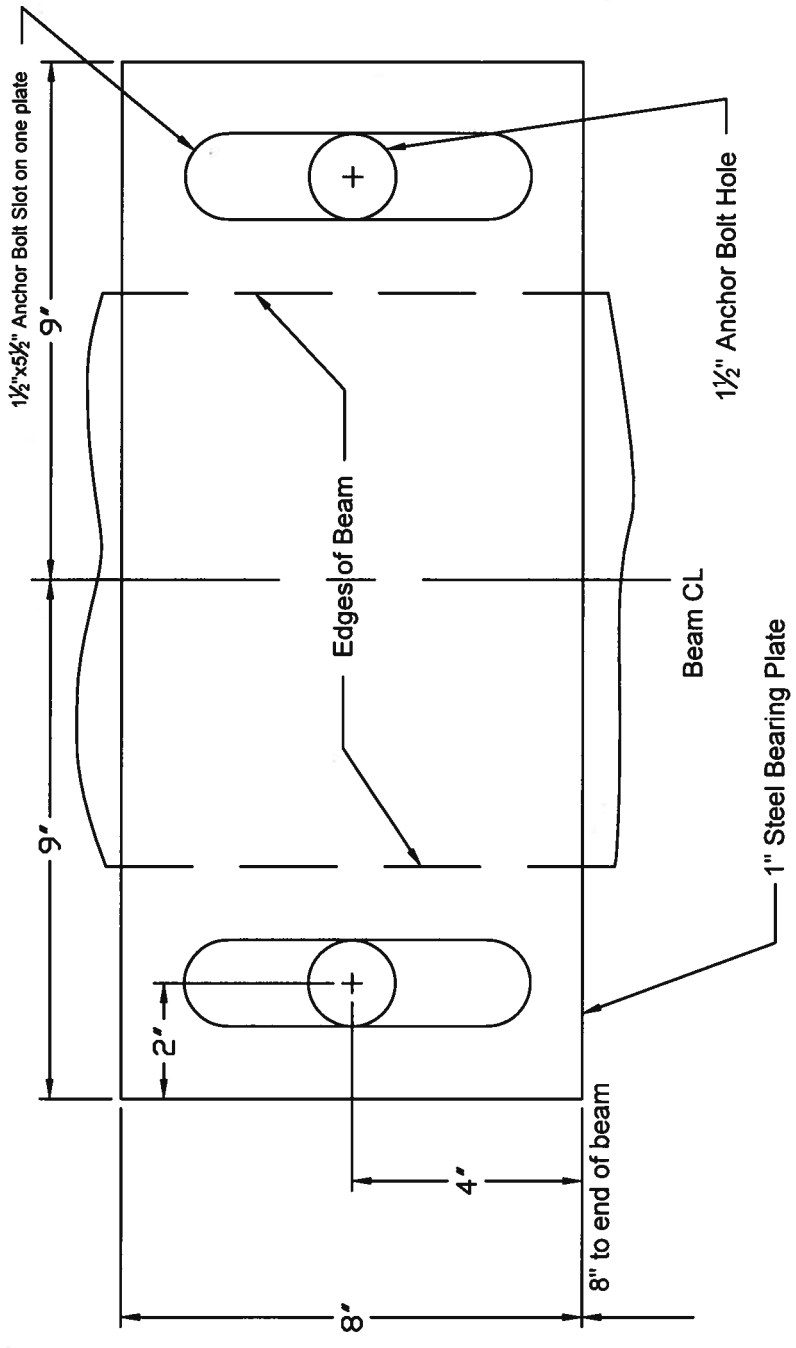
BEAM STIFFENERS

Scale: 1 in. = 5 in.
 Note: 5 pairs of stiffeners required per beam

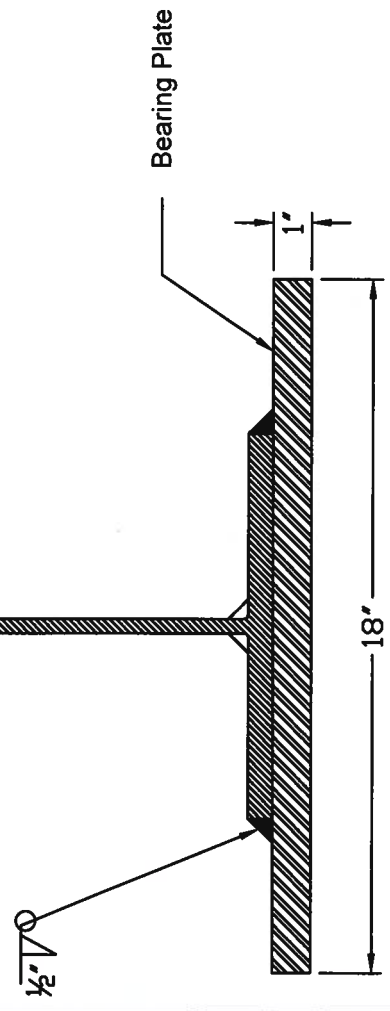
PENNSYLVANIA GAME COMMISSION

BRIDGE BEAMS
 35 FOOT LENGTH

Drawing 3 of 8



W14x61



BEARING PLATE

Scale: 1 in. = 4 in.

Scale: 1 in. = 5 in.

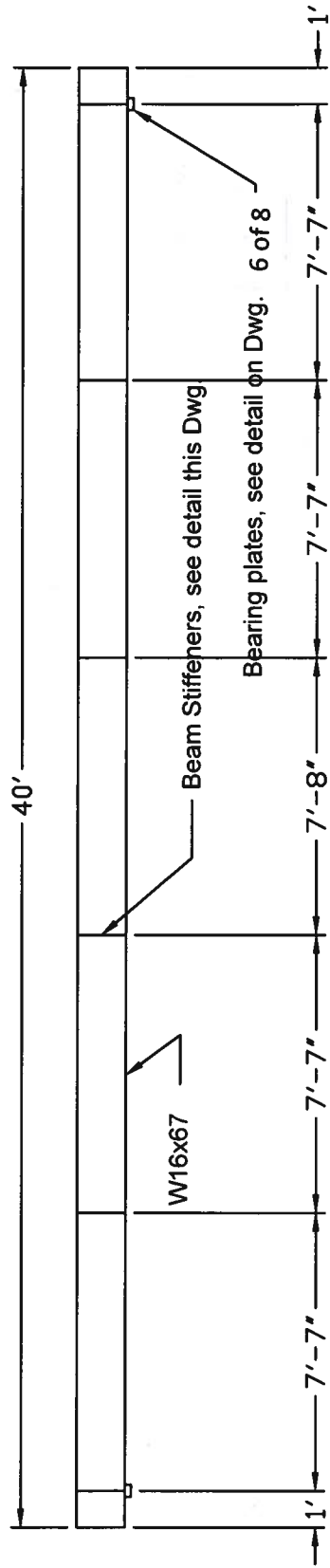
Note: 2 bearing plates per beam

PENNSYLVANIA GAME COMMISSION

BRIDGE BEAMS

35 FOOT LENGTH

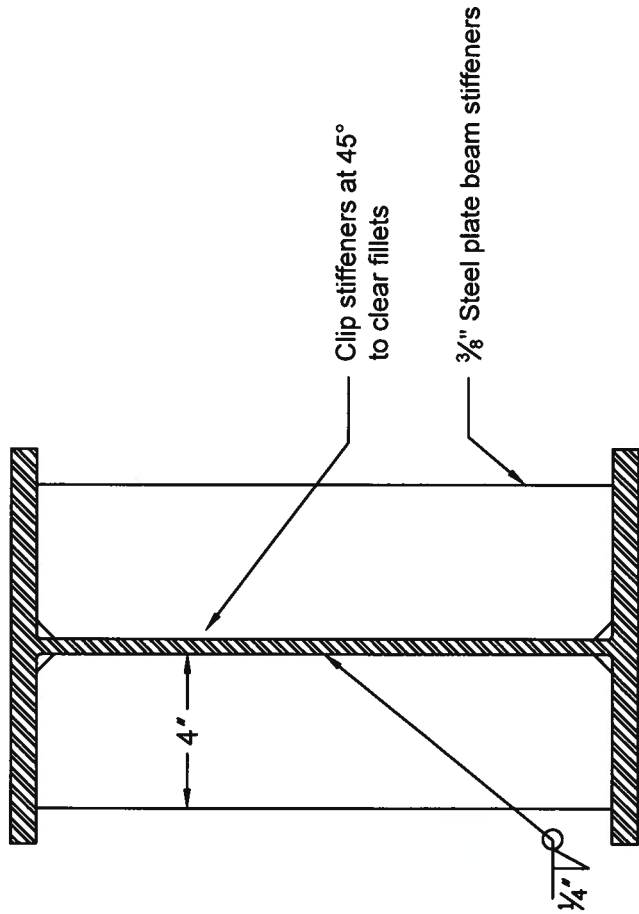
Drawing 4 of 8



BEAM ELEVATION

Scale: 1 in. = 5 ft.

Note: Dimensions are to center of features



BEAM STIFFENERS

Scale: 1 in. = 5 in.

Note: 6 pairs of stiffeners required per beam

NOTES

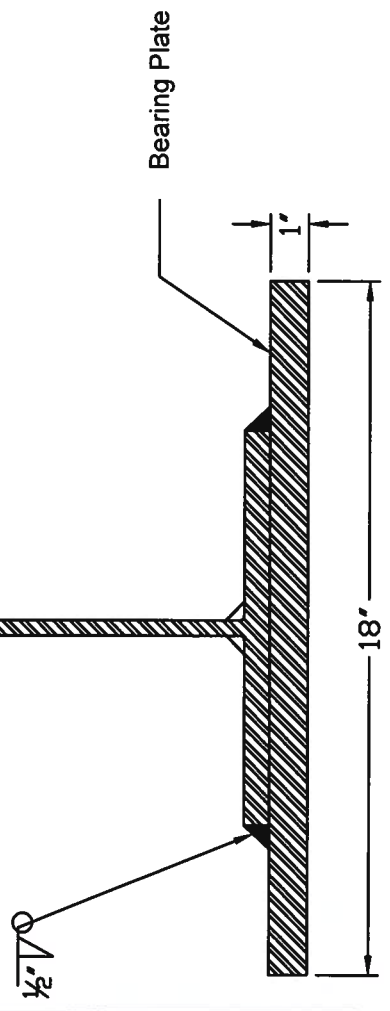
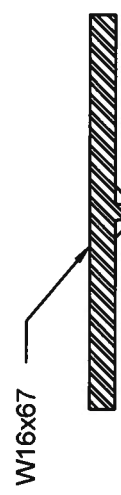
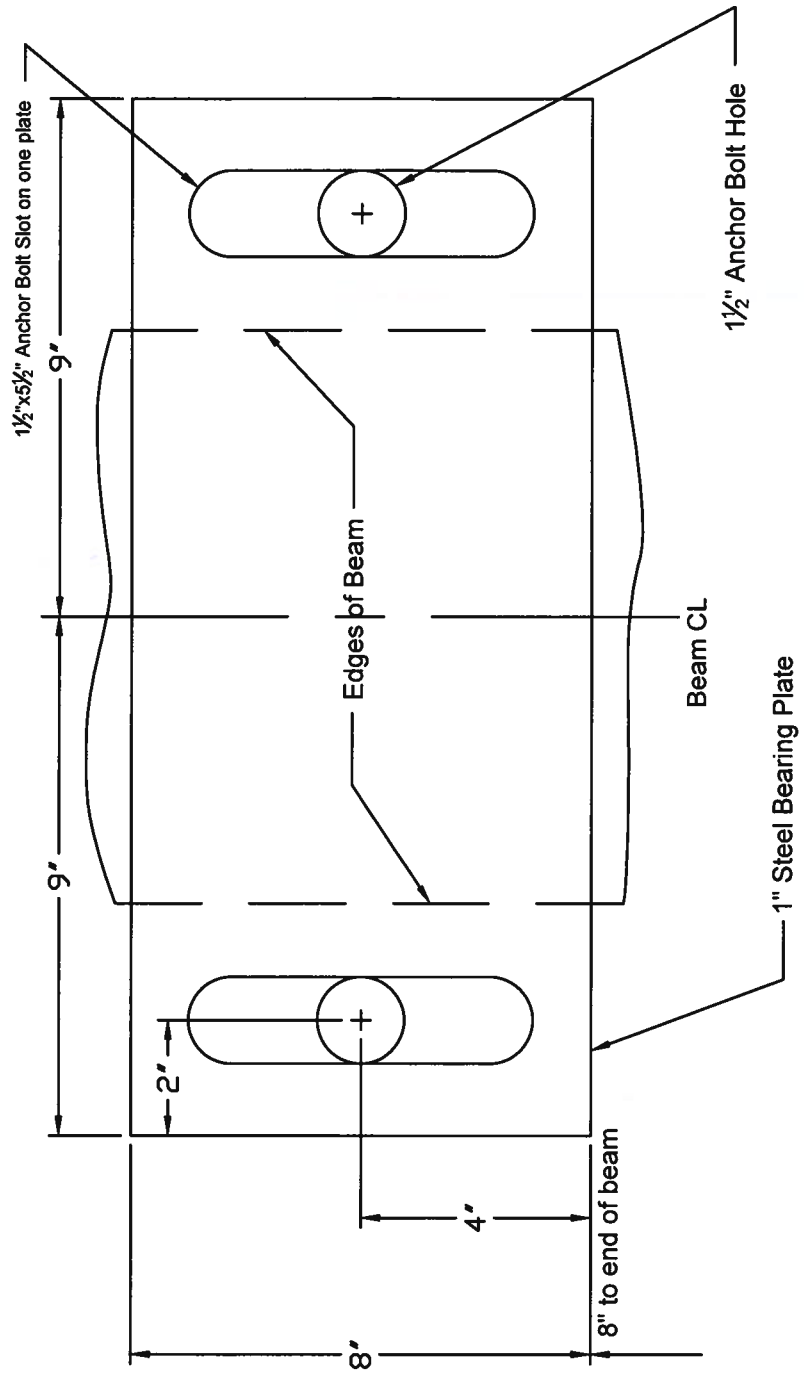
1. Beams, stiffeners, and bearing plates are ASTM A588 (50 ksi) steel conforming to PennDOT Pub. 408 Section 1105.02 Materials.
2. Fabrication of structural steel shall conform to Section 1105.03 of PennDOT Pub. 408.

PENNSYLVANIA GAME COMMISSION

BRIDGE BEAMS

40 FOOT LENGTH

Drawing 5 of 8



BEARING PLATE

Scale: 1 in. = 4 in.

BEARING PLATE ELEVATION

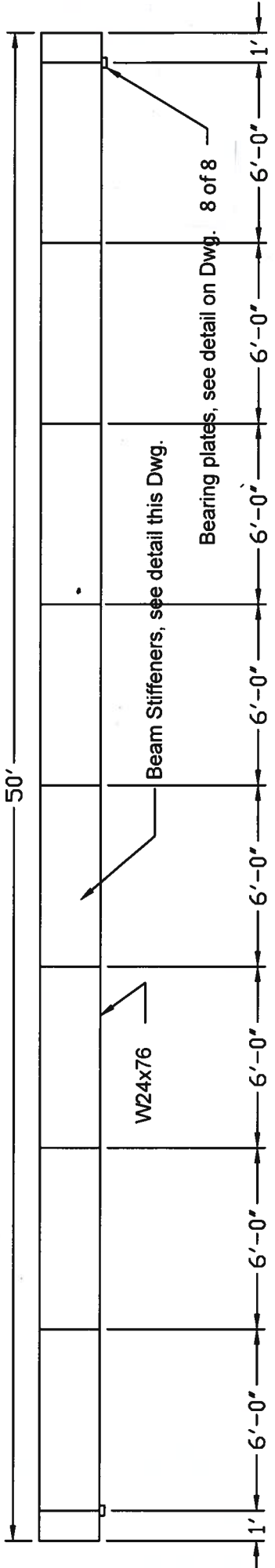
Scale: 1 in. = 5 in.

Note: 2 bearing plates per beam

PENNSYLVANIA GAME COMMISSION

BRIDGE BEAMS
40 FOOT LENGTH

Drawing 6 of 8



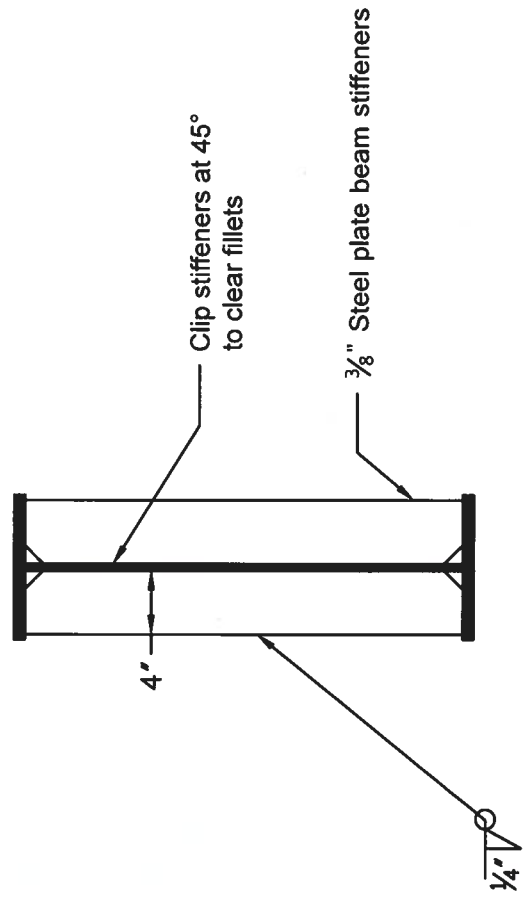
BEAM ELEVATION

Scale: 1 in. = 5 ft.
 Note: Dimensions are to center of features

NOTES

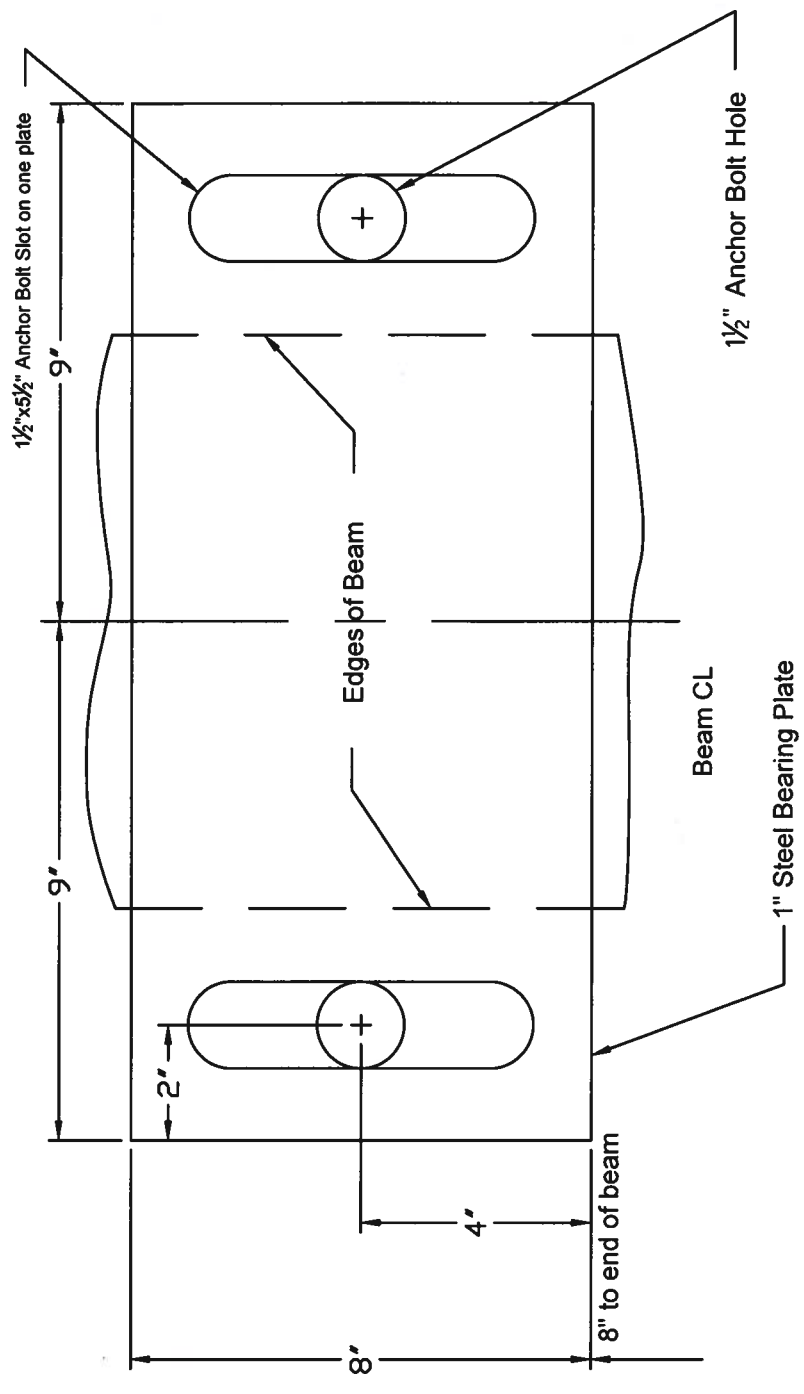
1. Beams, stiffeners, and bearing plates are ASTM A588 (<50 ksi) steel conforming to PennDOT Pub. 408 Section 1105.02 Materials.
2. Fabrication of structural steel shall conform to Section 1105.03 of PennDOT Pub. 408.

PENNSYLVANIA GAME COMMISSION BRIDGE BEAMS 50 FOOT LENGTH Drawing 7 of 8



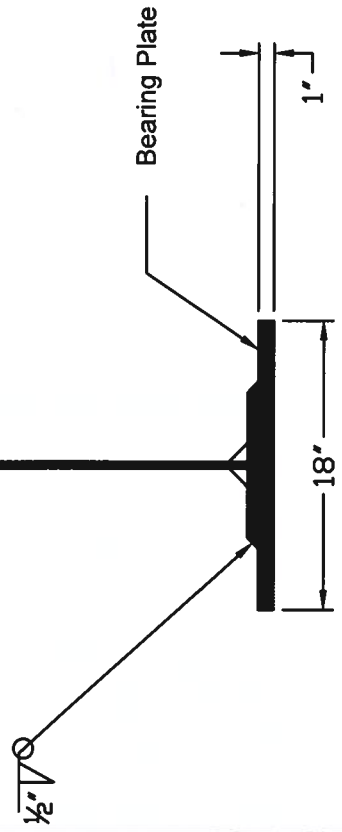
BEAM STIFFENERS

Scale: 1 inch = 1 foot
 Note: 9 pairs of stiffeners required per beam



BEARING PLATE

Scale: 1 in. = 4 in.



BEARING PLATE ELEVATION

Scale: 1 in. = 1 ft.

Note: 2 bearing plates per beam

PENNSYLVANIA GAME COMMISSION

BRIDGE BEAMS

50 FOOT LENGTH

Drawing 8 of 8