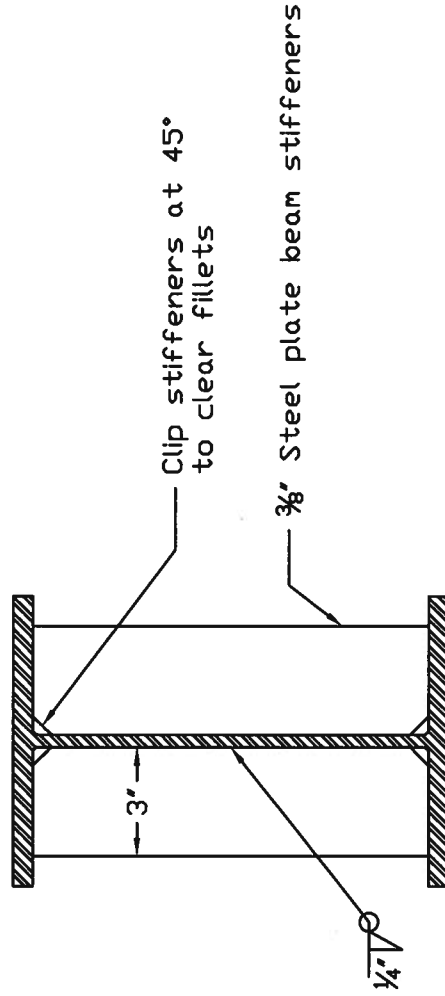


BEAM ELEVATION

Scale: 1 in. = 3 ft.
 Note: Dimensions are to center of features

NOTES

1. Beams, stiffeners, and bearing plates are ASTM A588 (50 ksi) steel.
2. Fabrication of structural steel shall conform to Section 1105.03 of PennDOT Pub. 408.



BEAM STIFFENERS

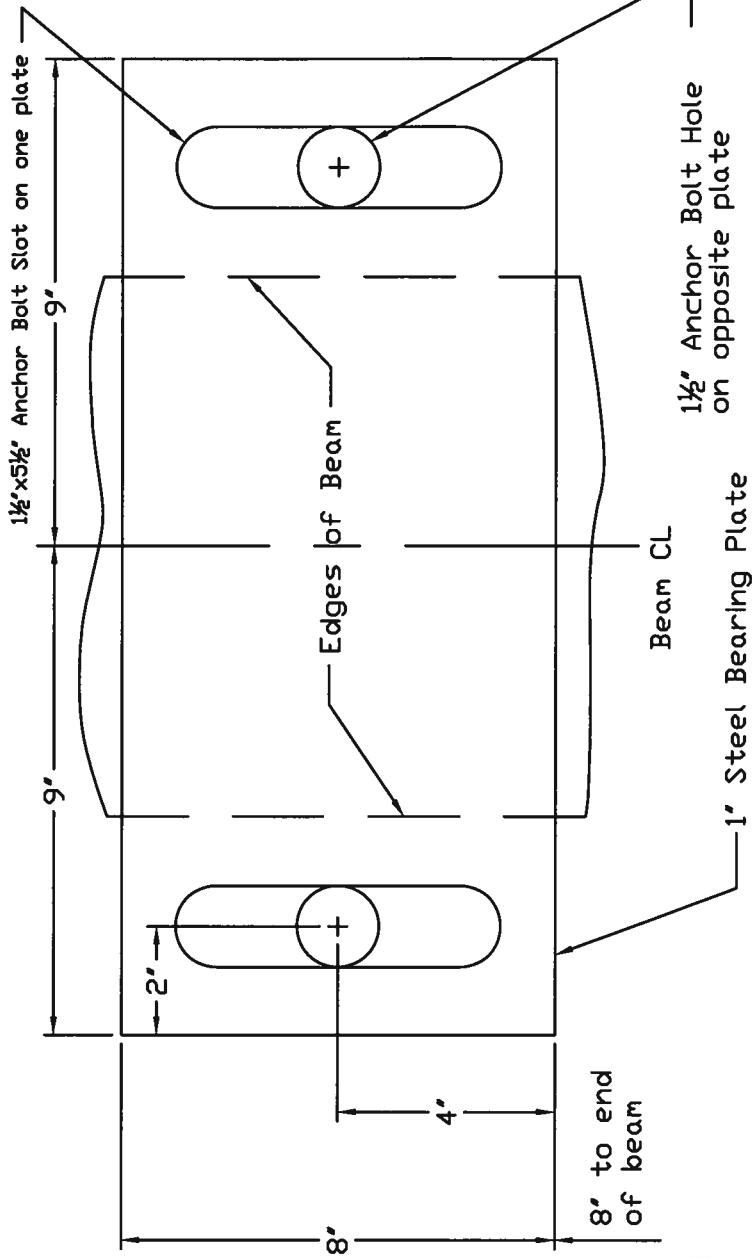
Scale: 1 in. = 5 in.
 Note: 5 pairs of stiffeners required per beam

PENNSYLVANIA GAME COMMISSION

BRIDGE BEAMS

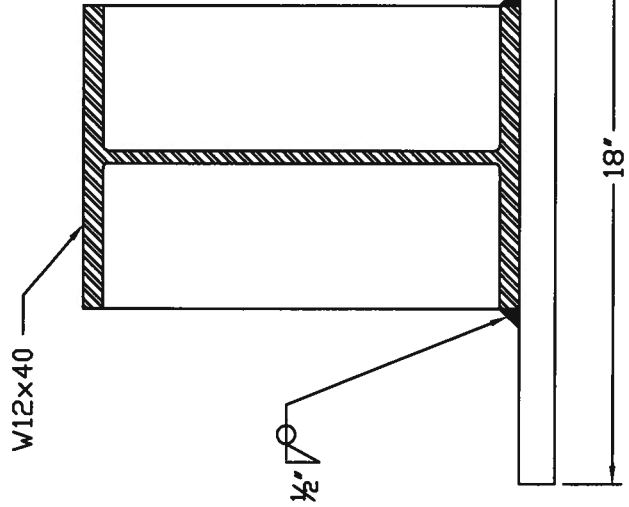
25 FOOT LENGTH

Drawing 1 of 12



BEARING PLATE

Scale: 1 in. = 4 in.



BEARING PLATE ELEVATION

Scale: 1 in. = 5 in.

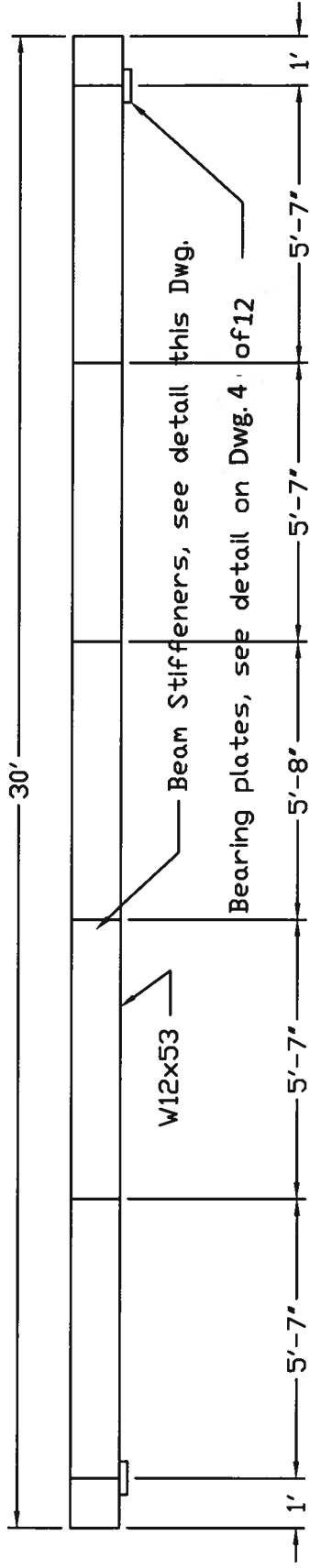
Note: 2 bearing plates per beam

PENNSYLVANIA GAME COMMISSION

BRIDGE BEAMS

25 FOOT LENGTH

Drawing 2 of 12



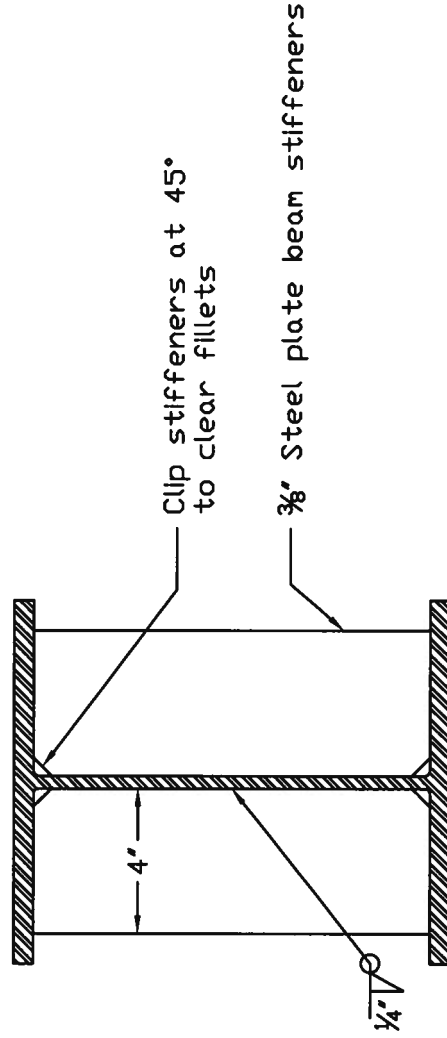
BEAM ELEVATION

Scale: 1 in. = 3 ft.

Note: Dimensions are to center of features

NOTES

1. Beams, stiffeners, and bearing plates are ASTM A588 (50 ksi) steel.
2. Fabrication of structural steel shall conform to Section 1105.03 of PennDOT Pub. 408.



BEAM STIFFENERS

Scale: 1 in. = 5 in.

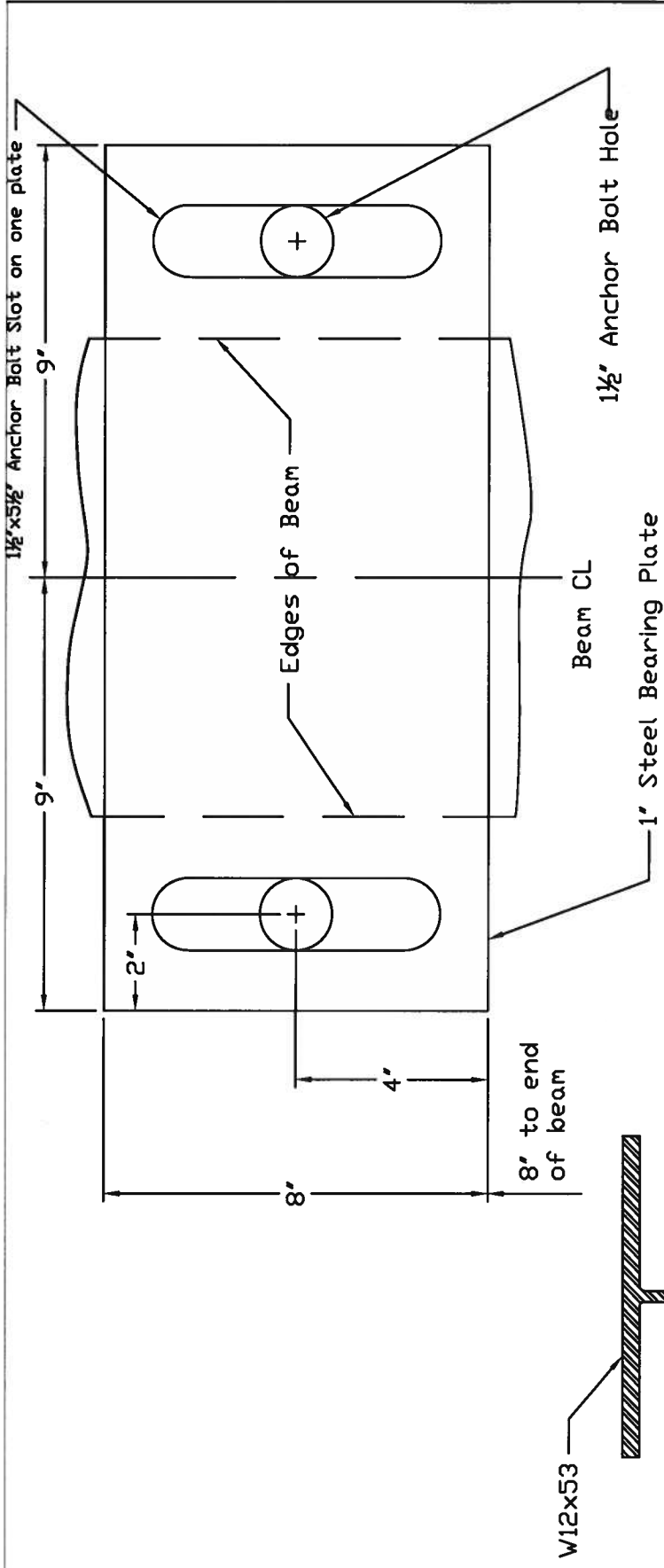
Note: 6 pairs of stiffeners required per beam

PENNSYLVANIA GAME COMMISSION

BRIDGE BEAMS

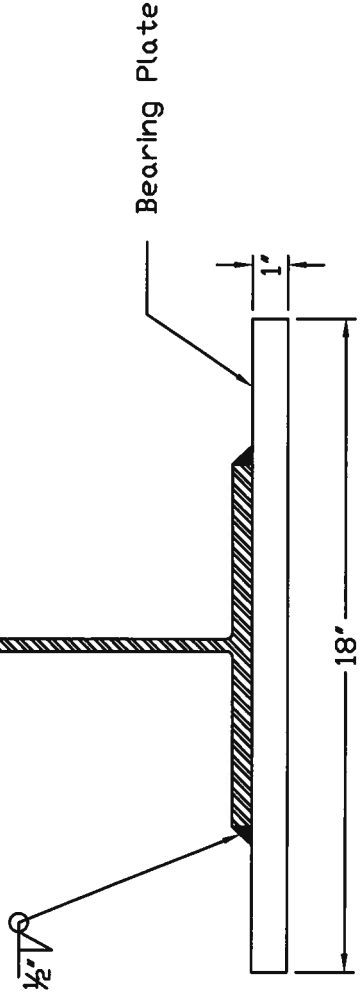
30 FOOT LENGTH

Drawing 3 of 12



BEARING PLATE

Scale: 1 in. = 4 in.

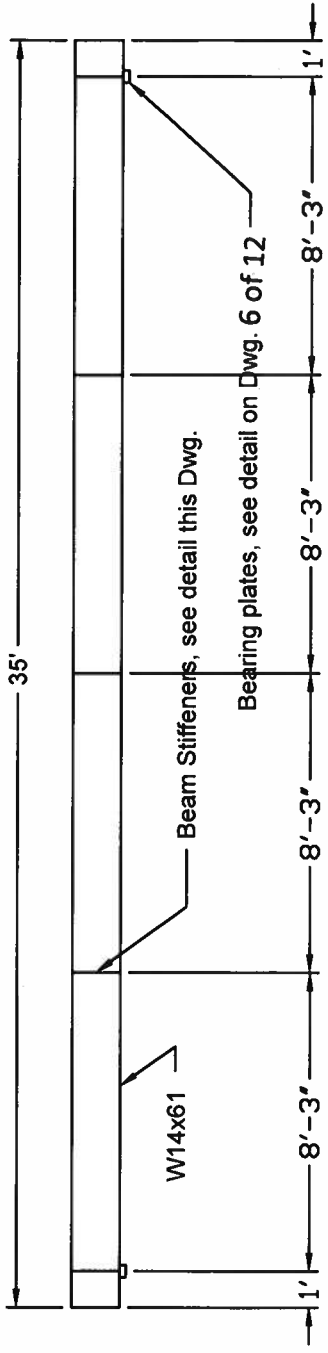


BEARING PLATE ELEVATION

Scale: 1 in. = 5 in.

Note: 2 bearing plates per beam

PENNSYLVANIA GAME COMMISSION
BRIDGE BEAMS
30 FOOT LENGTH
Drawing 4 of 12

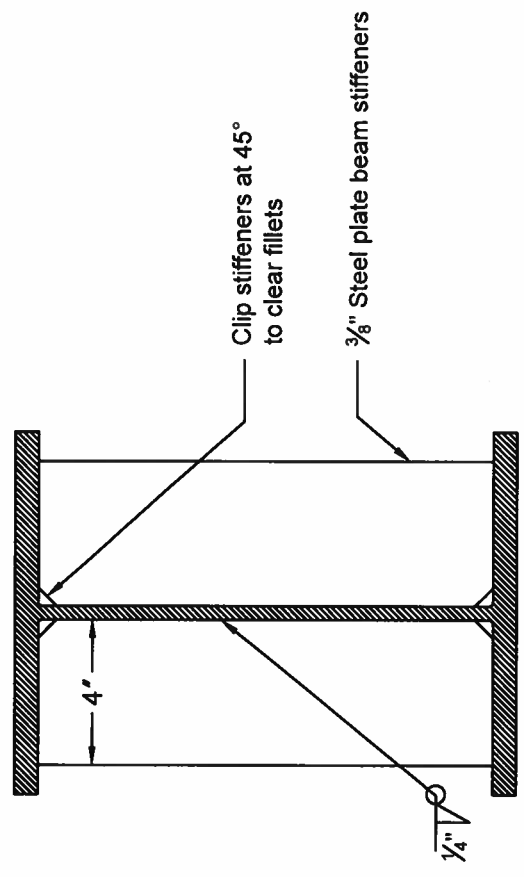


BEAM ELEVATION

Scale: 1 in. = 5 ft.
 Note: Dimensions are to center of features

NOTES

1. Beams, stiffeners, and bearing plates are ASTM A588 (50 ksi) steel conforming to PennDOT Pub. 408 Section 1105.02 Materials.
2. Fabrication of structural steel shall conform to Section 1105.03 of PennDOT Pub. 408.



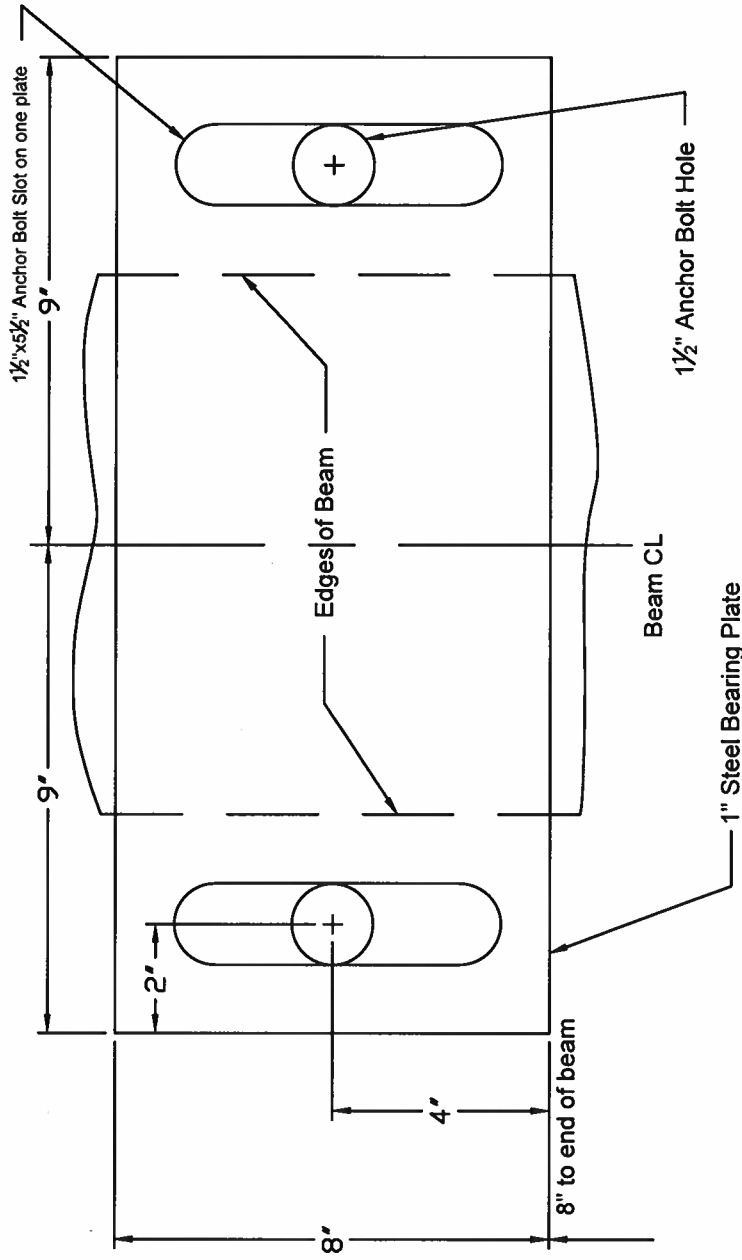
BEAM STIFFENERS

Scale: 1 in. = 5 in.
 Note: 5 pairs of stiffeners required per beam

PENNSYLVANIA GAME COMMISSION

BRIDGE BEAMS
 35 FOOT LENGTH

Drawing 5 of 12



BEARING PLATE

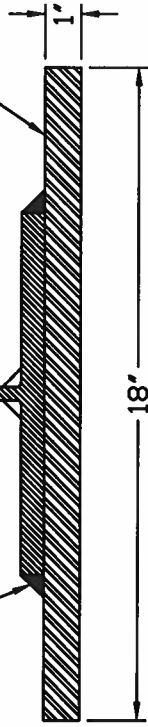
Scale: 1 in. = 4 in.

W14x61



1/2"

Bearing Plate



BEARING PLATE ELEVATION

Scale: 1 in. = 5 in.

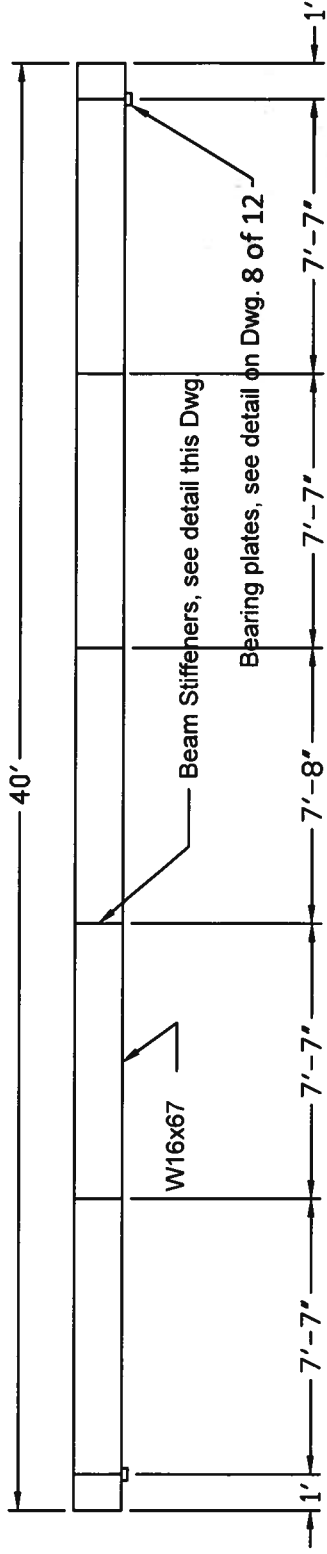
Note: 2 bearing plates per beam

PENNSYLVANIA GAME COMMISSION

BRIDGE BEAMS

35 FOOT LENGTH

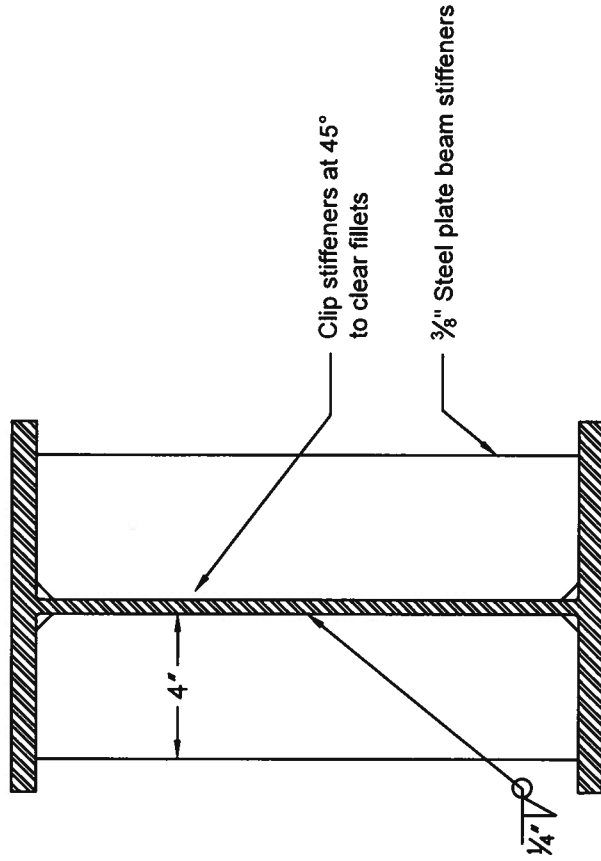
Drawing 6 of 12



BEAM ELEVATION

Scale: 1 in. = 5 ft.

Note: Dimensions are to center of features



BEAM STIFFENERS

Scale: 1 in. = 5 in.

Note: 6 pairs of stiffeners required per beam

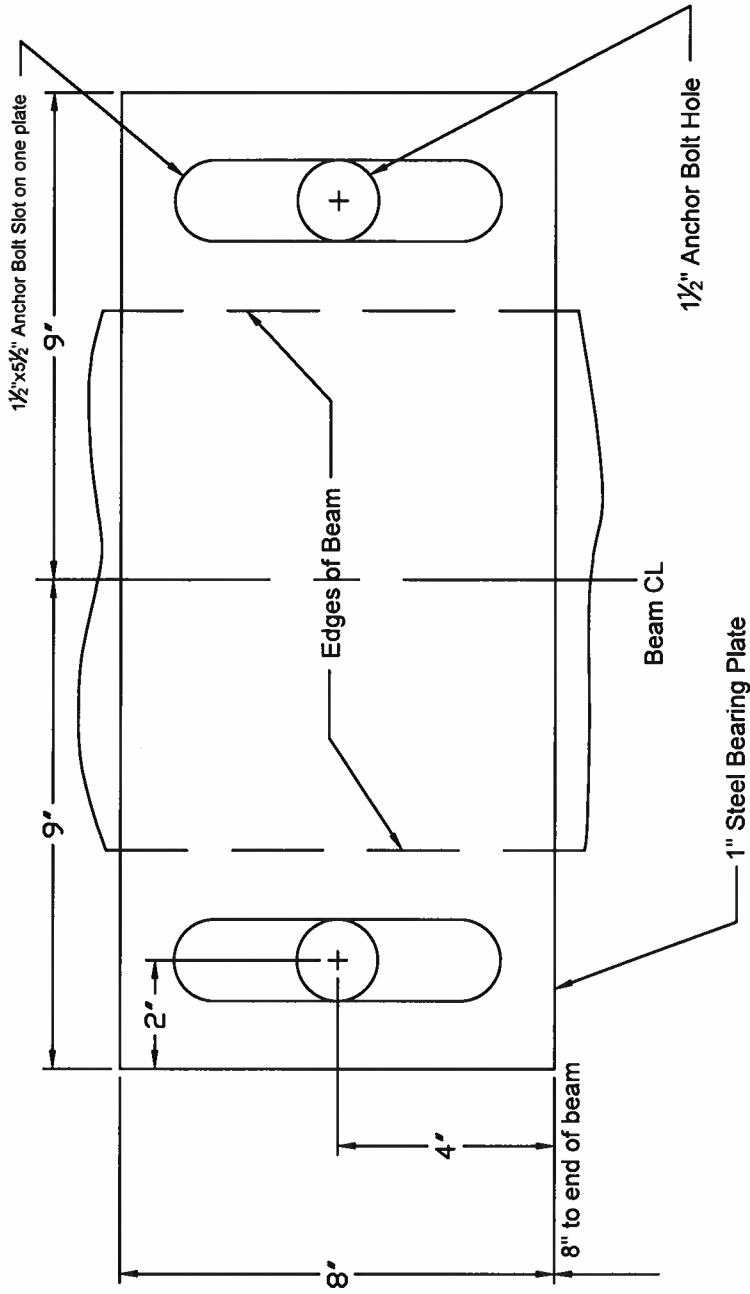
NOTES

1. Beams, stiffeners, and bearing plates are ASTM A588 (50 ksi) steel conforming to PennDOT Pub. 408 Section 1105.02 Materials.
2. Fabrication of structural steel shall conform to Section 1105.03 of PennDOT Pub. 408.

PENNSYLVANIA GAME COMMISSION

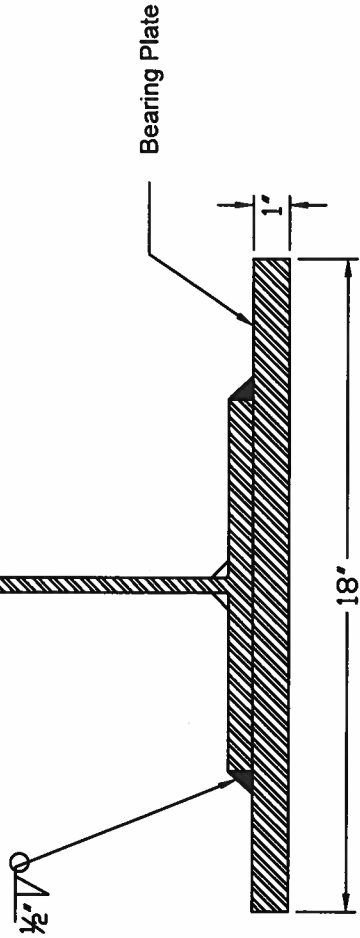
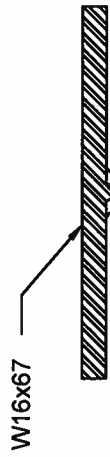
BRIDGE BEAMS
40 FOOT LENGTH

Drawing 7 of 12



BEARING PLATE

Scale: 1 in. = 4 in.



BEARING PLATE ELEVATION

Scale: 1 in. = 5 in.

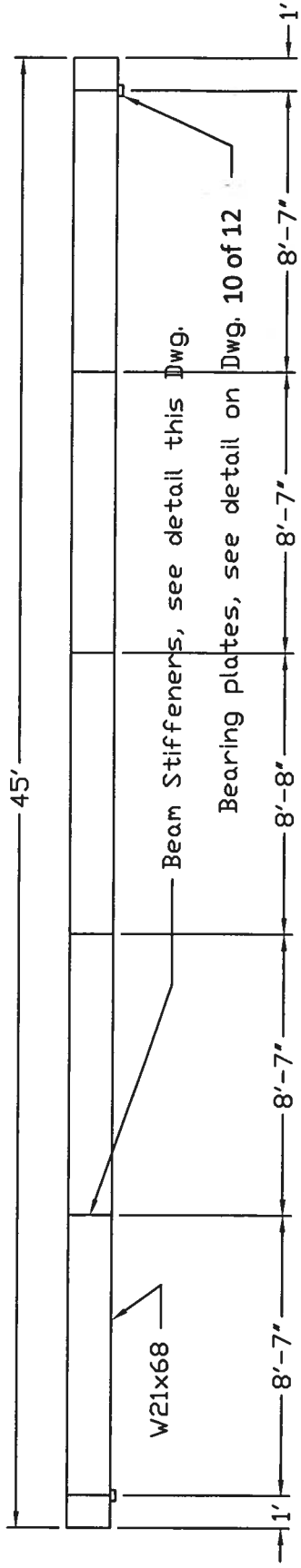
Note: 2 bearing plates per beam

PENNSYLVANIA GAME COMMISSION

BRIDGE BEAMS

40 FOOT LENGTH

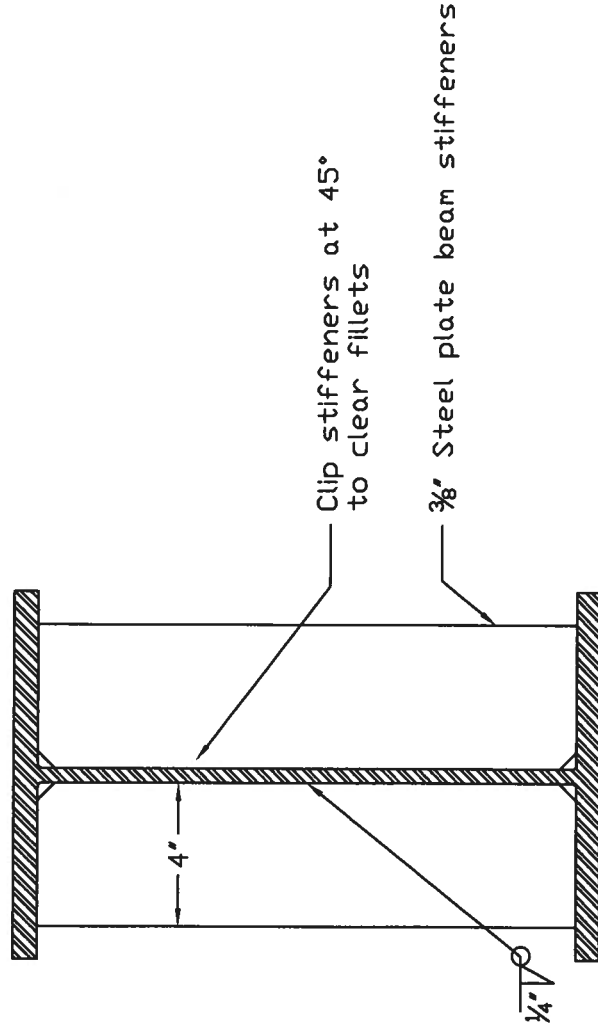
Drawing 8 of 12



BEAM ELEVATION

Scale: 1 in. = 5 ft.

Note: Dimensions are to center of features



BEAM STIFFENERS

Scale: 1 in. = 5 in.

Note: 6 pairs of stiffeners required per beam

NOTES

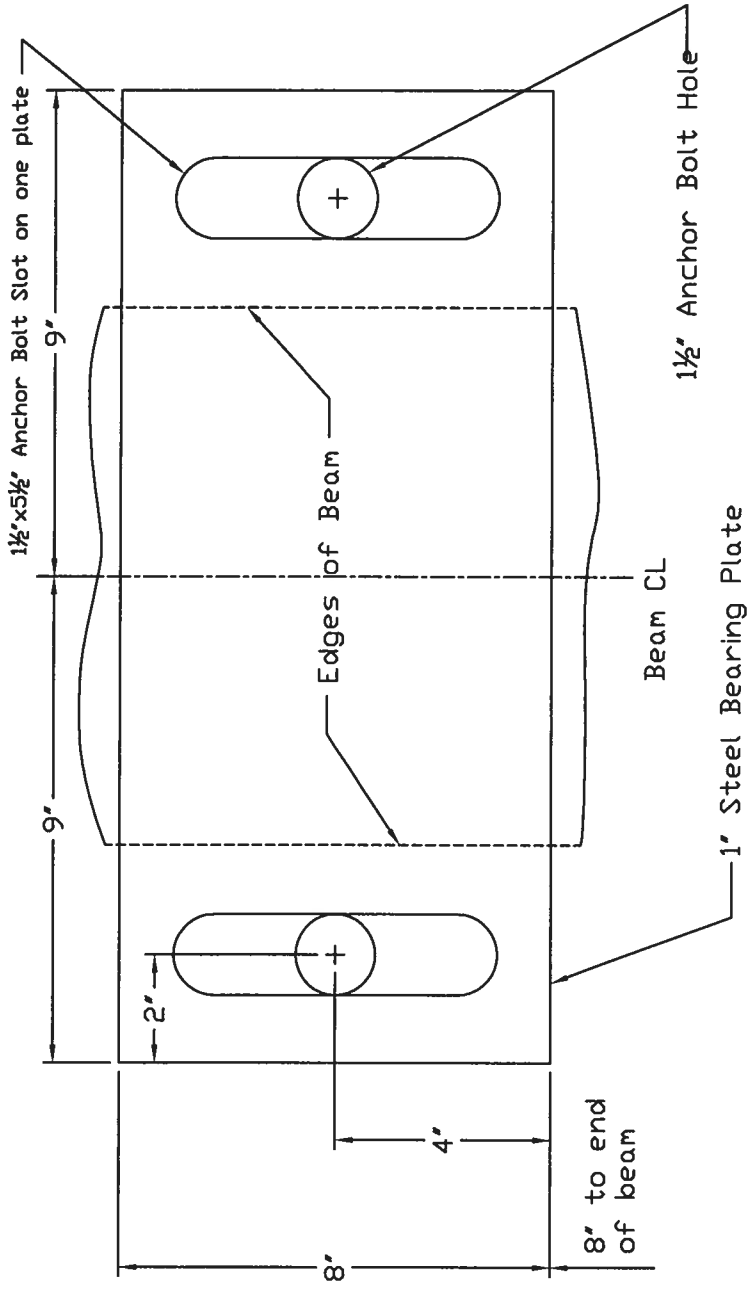
1. Beams, stiffeners, and bearing plates are ASTM A588 (50 ksi) steel.
2. Fabrication of structural steel shall conform to Section 105.03 of PennDOT Pub. 408.

PENNSYLVANIA GAME COMMISSION

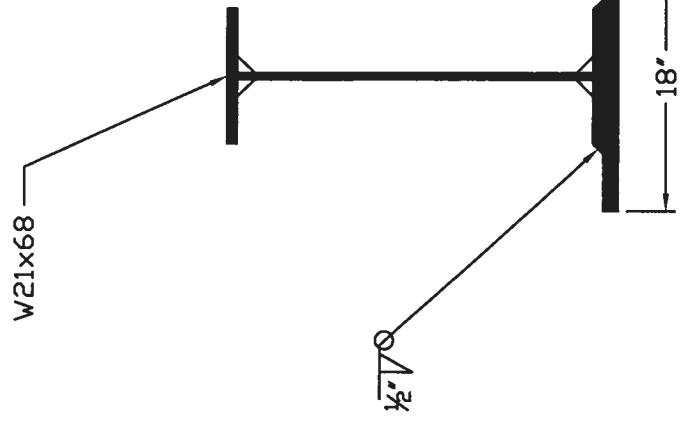
BRIDGE BEAMS

45 FOOT LENGTH

Drawing 9 of 12

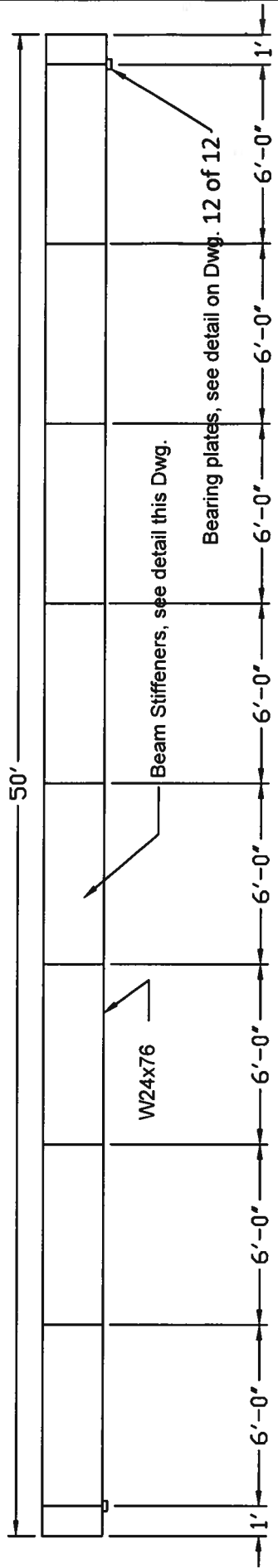


BEARING PLATE
Scale: 1 in. = 4 in.



BEARING PLATE ELEVATION
Scale: 1 in. = 1 ft.
Note: 2 bearing plates per beam

PENNSYLVANIA GAME COMMISSION
BRIDGE BEAMS
45 FOOT LENGTH
Drawing 10 of 12



BEAM ELEVATION

Scale: 1 in. = 5 ft.

Note: Dimensions are to center of features

NOTES

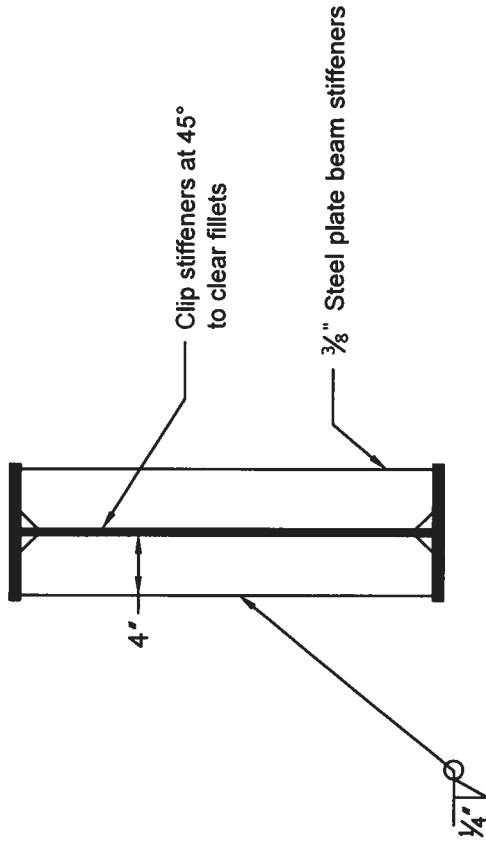
1. Beams, stiffeners, and bearing plates are ASTM A588 (50 ksi) steel conforming to PennDOT Pub. 408 Section 1105.02 Materials.
2. Fabrication of structural steel shall conform to Section 1105.03 of PennDOT Pub. 408.

PENNSYLVANIA GAME COMMISSION

BRIDGE BEAMS

50 FOOT LENGTH

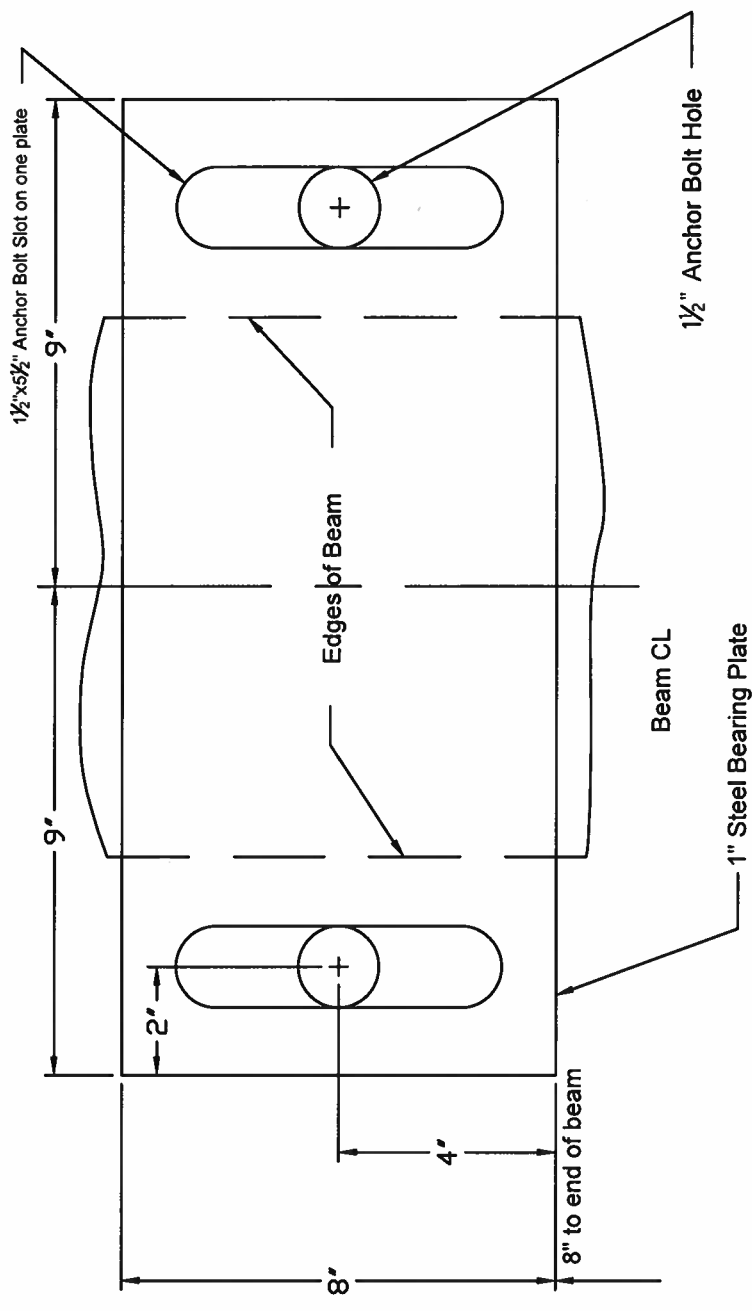
Drawing 11 of 12



BEAM STIFFENERS

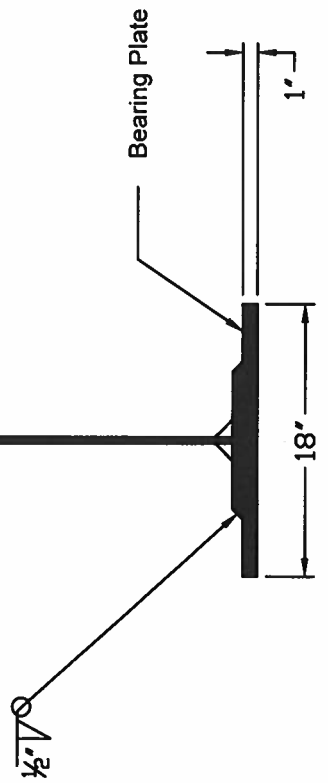
Scale: 1 inch = 1 foot

Note: 9 pairs of stiffeners required per beam



BEARING PLATE

Scale: 1 in. = 4 in.



BEARING PLATE ELEVATION

Scale: 1 in. = 1 ft.

Note: 2 bearing plates per beam

PENNSYLVANIA GAME COMMISSION

BRIDGE BEAMS
50 FOOT LENGTH

Drawing 12 of 12