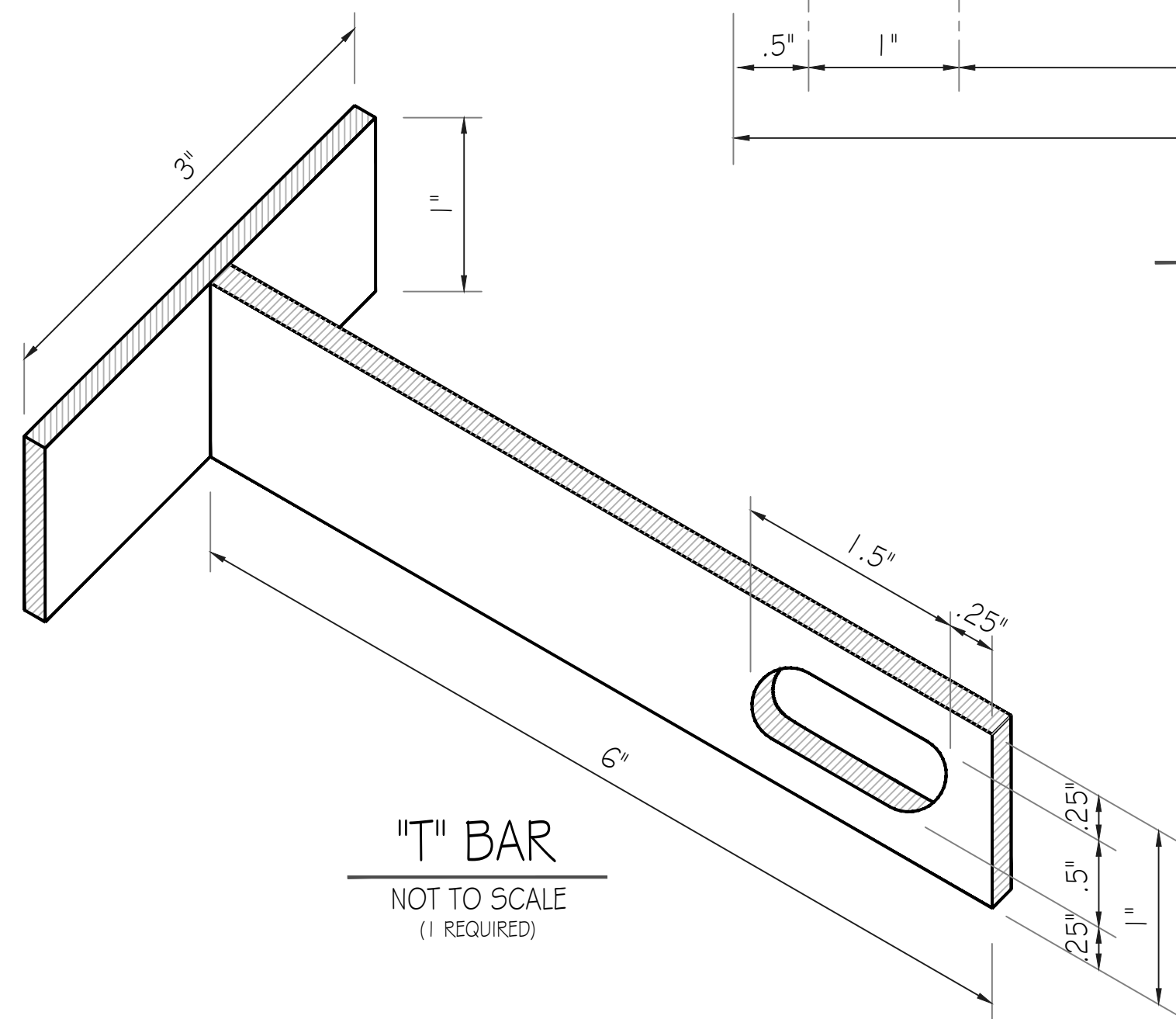
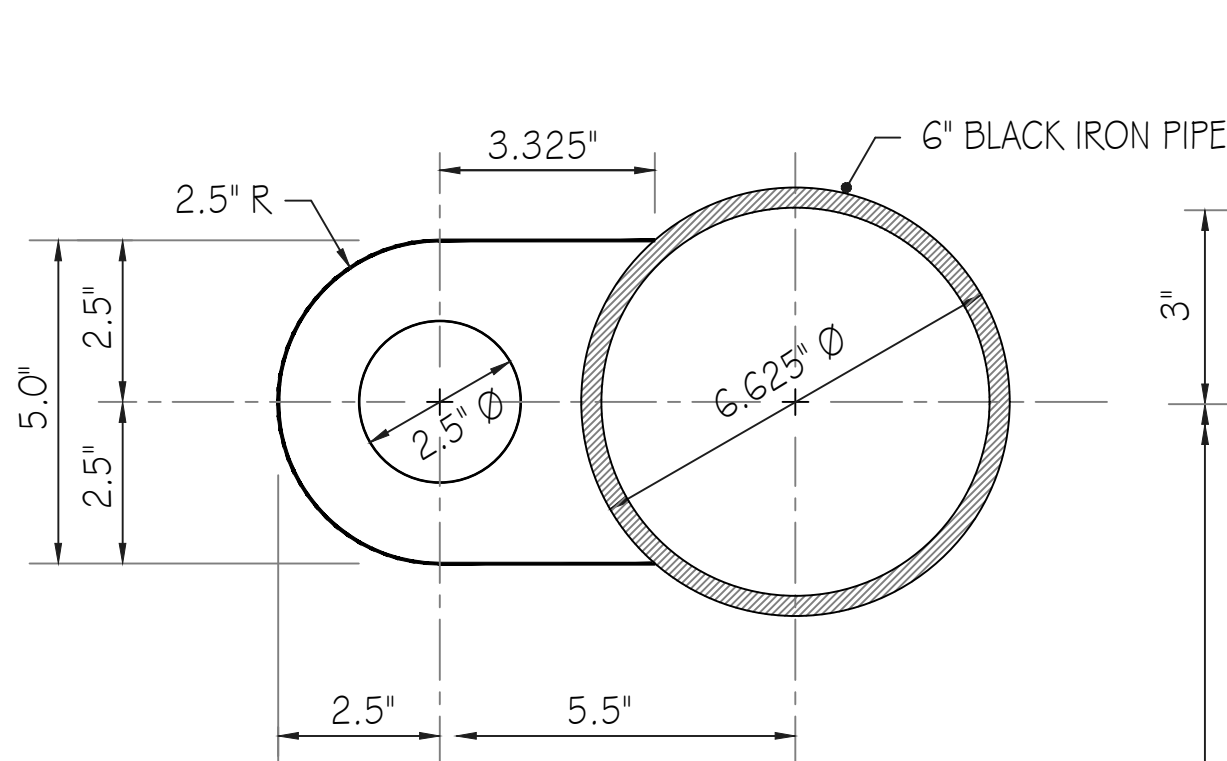


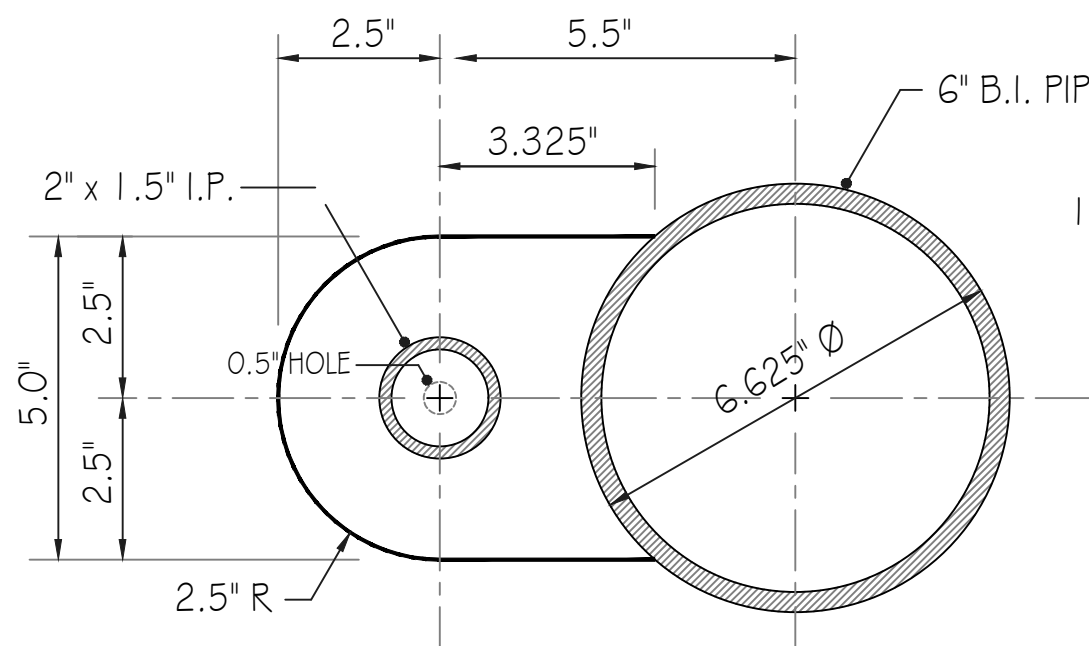
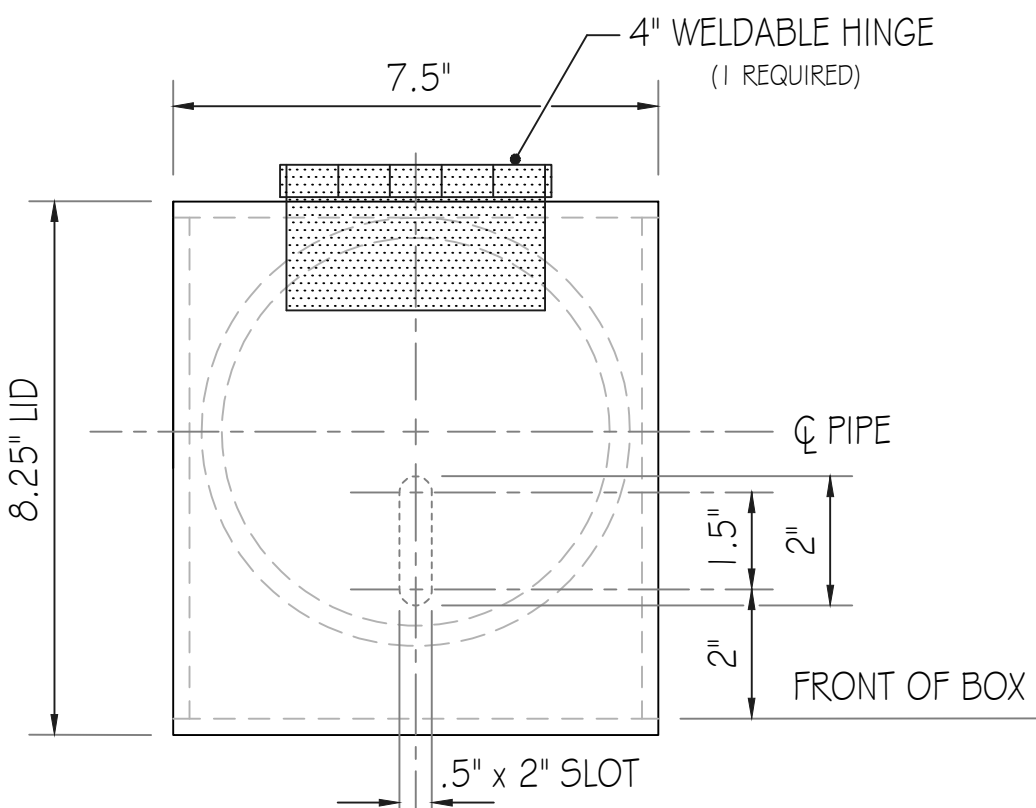
**VERTICAL BAR**  
SCALE: 1/2" = 1'-0"  
(1 REQUIRED)



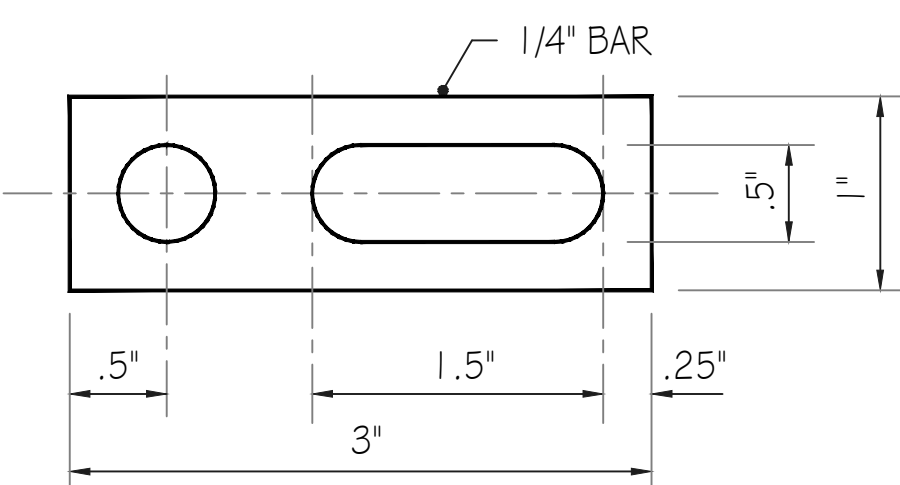
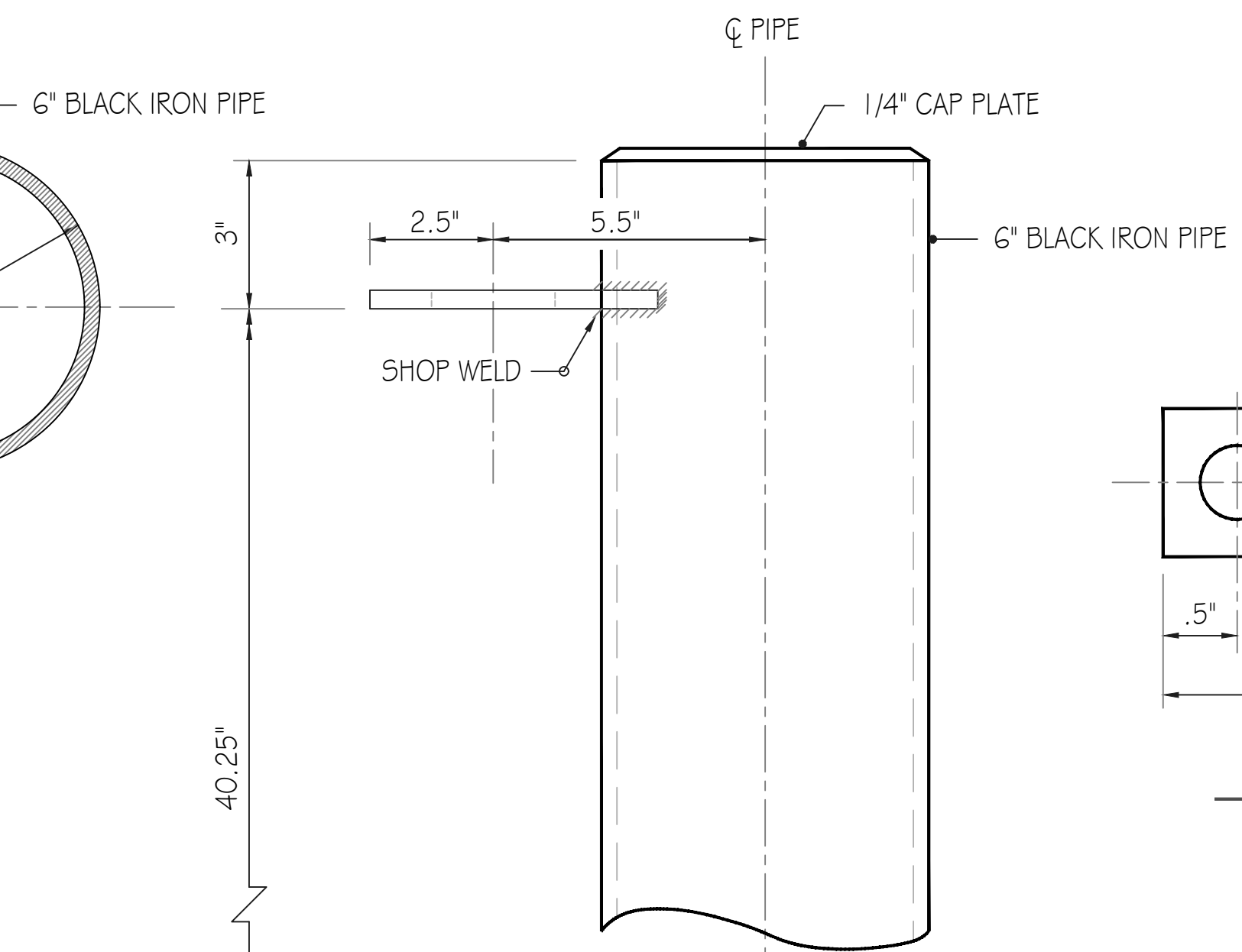
**"I" BAR**  
NOT TO SCALE  
(1 REQUIRED)



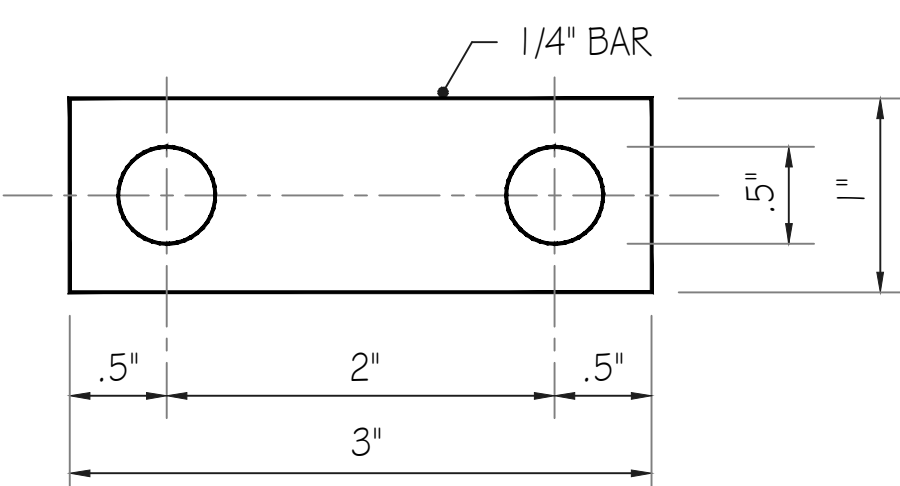
**DETAIL "B"**  
SCALE: 4" = 1'-0"  
(GATE POST)



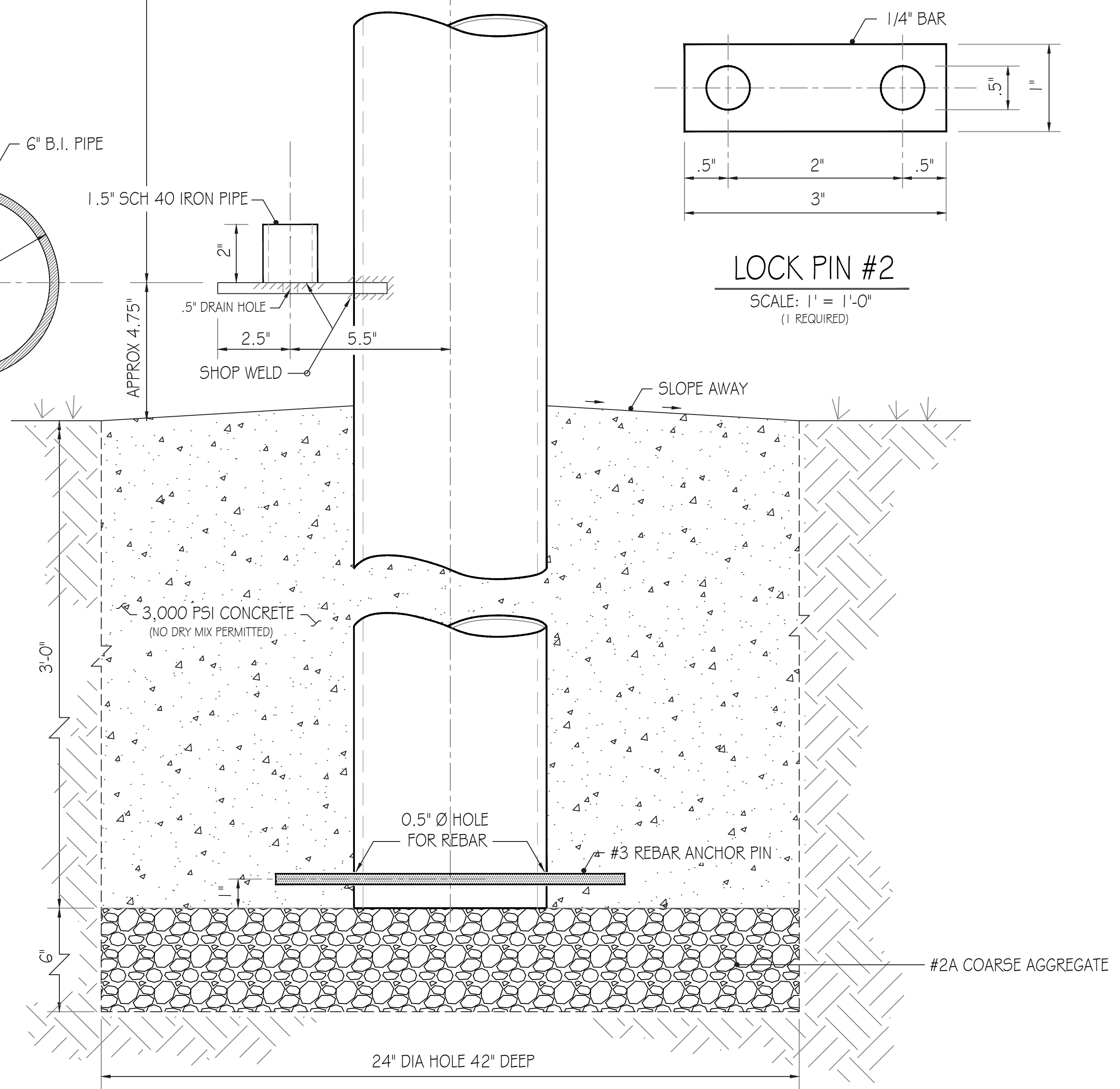
**DETAIL "A"**  
SCALE: 4" = 1'-0"  
(GATE POST)



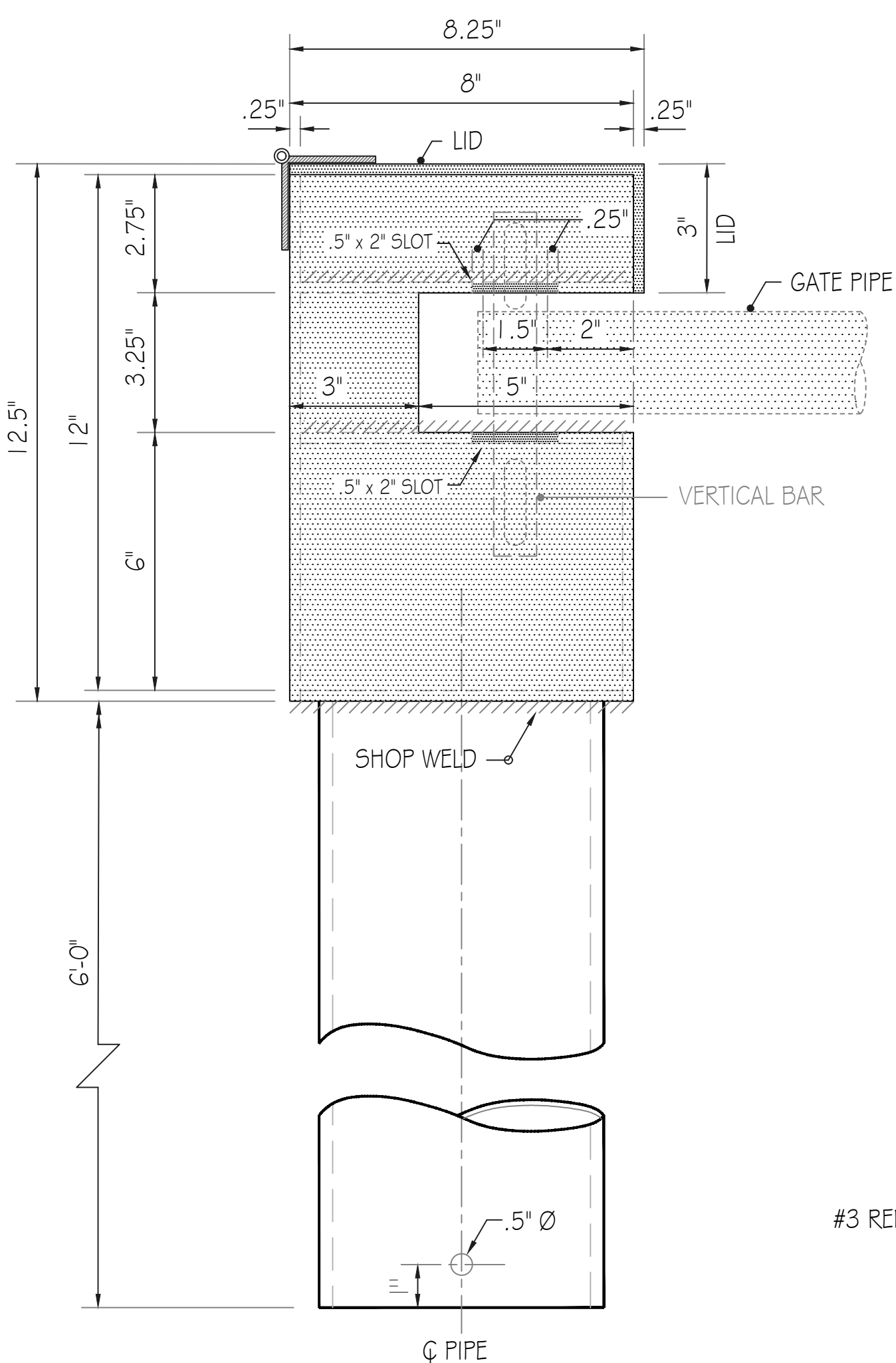
**LOCK PIN #1**  
SCALE: 1" = 1'-0"  
(1 REQUIRED)



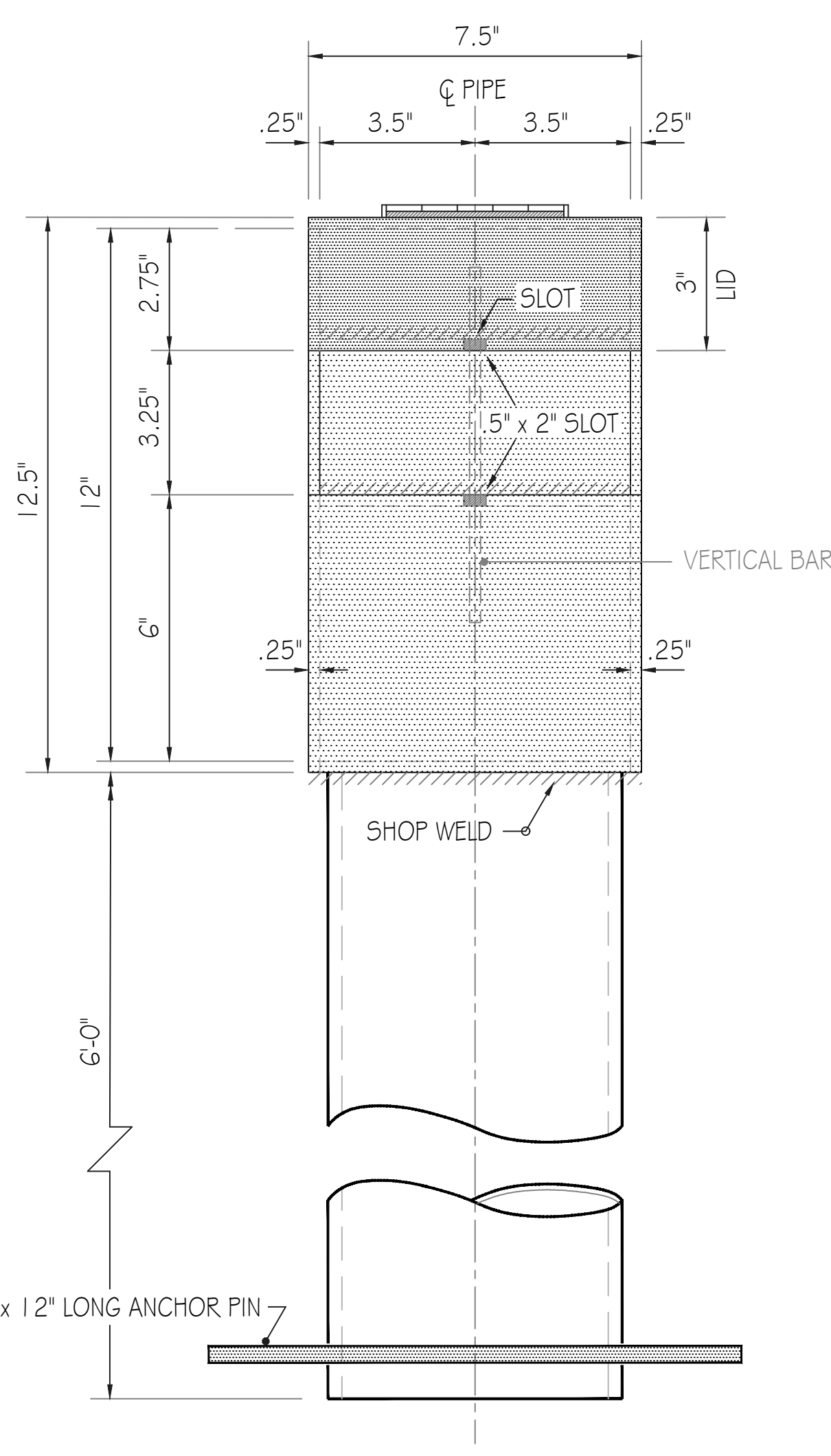
**LOCK PIN #2**  
SCALE: 1" = 1'-0"  
(1 REQUIRED)



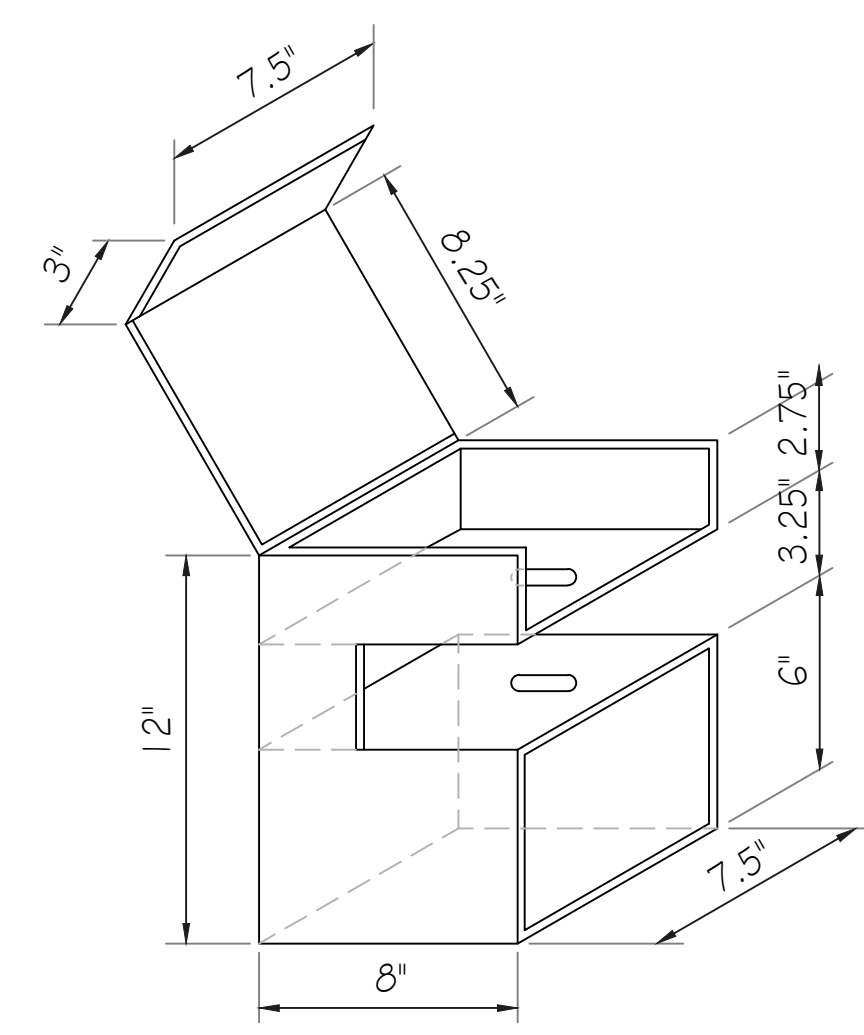
**GATE POST**  
SCALE: 4" = 1'-0"  
(1 REQUIRED)



**LOCK BOX SIDE**  
SCALE: 4" = 1'-0"



**LOCK BOX FRONT**  
SCALE: 4" = 1'-0"



**LOCK BOX 3D**  
NOT TO SCALE  
(1 REQUIRED)

<b>PENNSYLVANIA GAME COMMISSION</b>	
IRON PIPE GATE DRAWING WITH DETAILS	
PROJECT:	DRAWING: GATE DRAWING
LOCATION:	SCALE: AS NOTED
JBM 02/03/20	REVISED: _____ SHEET NO. 2 OF 2